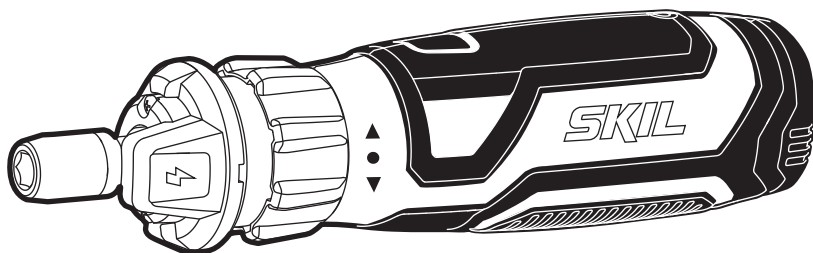


SKIL®



Model: SD5612E-00

Rechargeable Screwdriver with Circuit Sensor™ Technology

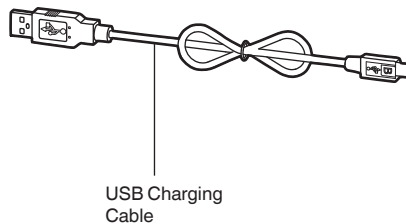
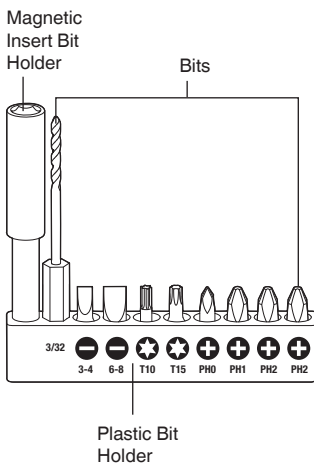
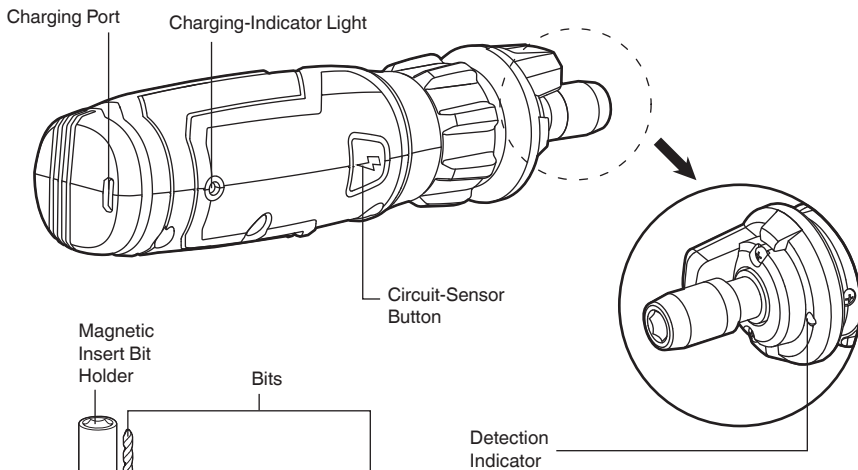
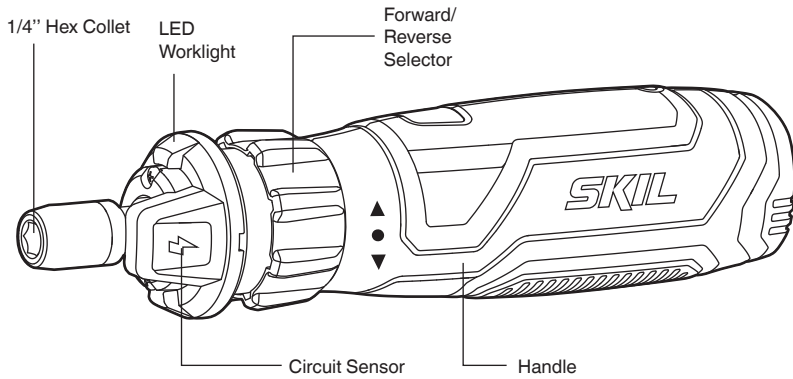
⚠ WARNING: To reduce the risk of injury, the user must read and understand the Owner's Manual before using this product. Save these instructions for future reference.



For Customer Service

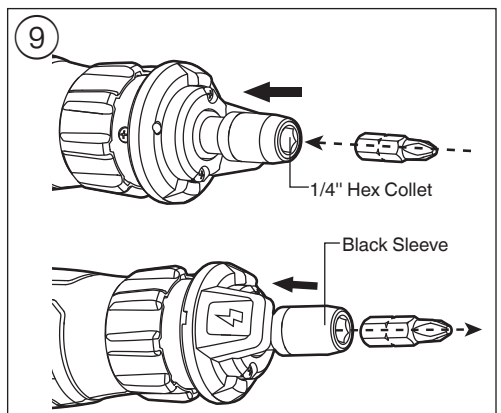
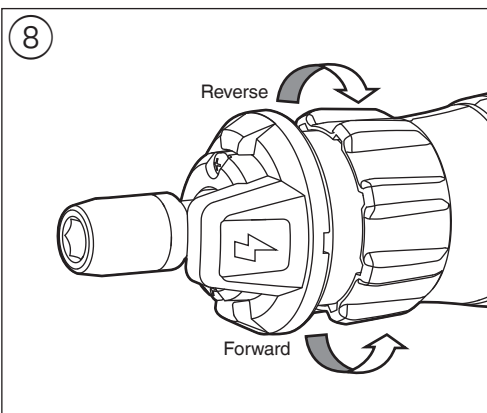
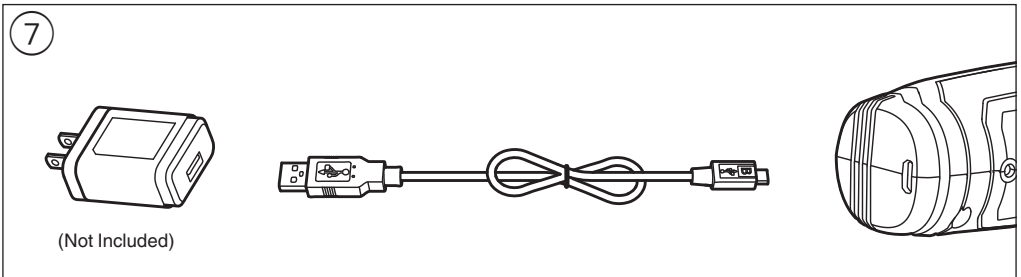
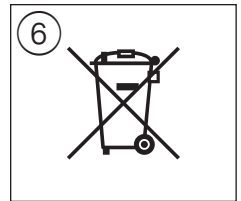
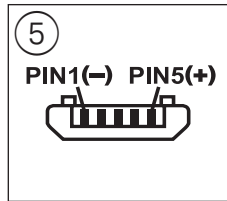
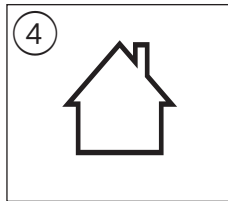
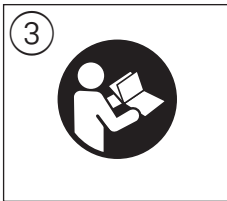
1300-017-545 OR www.skil.com.au

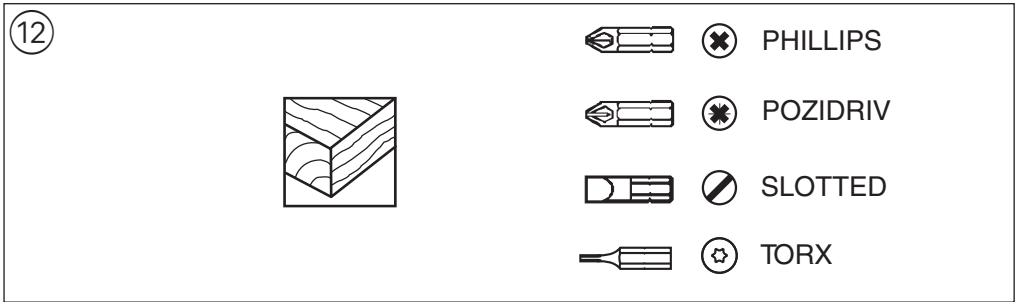
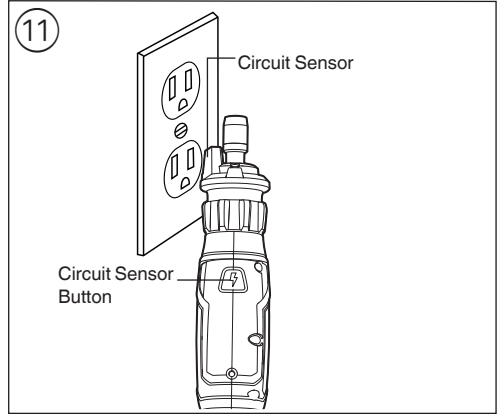
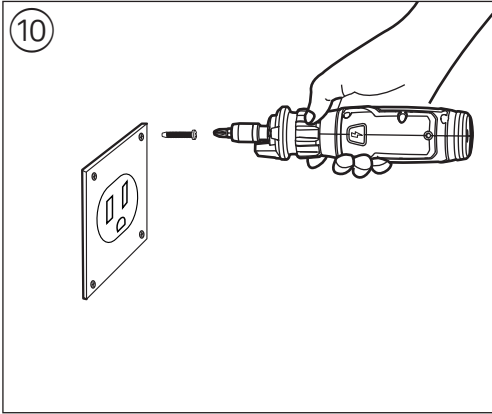
1



② SPECIFICATIONS

Battery Voltage	3.6V d.c. (4V max) Lithium
Battery capacity	1.3Ah (4.68Wh)
Collet size	1/4" (Hex)
Charger Model	S005ANS0500100
Input	100-240V~ 50-60HZ 200mA
Output	5.0V 1000mA





INTRODUCTION

- This tool with left/right rotation is intended for screwdriving and predrilling in wood
- This tool is not intended for professional use
- Read this instruction manual carefully before use and save it for future reference ③

SAFETY

GENERAL POWER TOOL SAFETY WARNINGS

⚠ WARNING Read all safety warnings, instructions, illustrations and specifications provided with this power tool. Failure to follow all instructions listed below may result in electric shock, fire and/or serious injury.

Save all warnings and instructions for future reference.

The term "power tool" in the warnings refers to your mainsoperated (corded) power tool or battery-operated (cordless) power tool.

1) WORK AREA SAFETY

- a) **Keep work area clean and well lit.** Cluttered or dark areas invite accidents.
- b) **Do not operate power tools in explosive atmospheres, such as in the presence of flammable liquids, gases or dust.** Power tools create sparks which may ignite the dust or fumes.
- c) **Keep children and bystanders away while operating a power tool.** Distractions can cause you to lose control.

2) ELECTRICAL SAFETY

- a) **Power tool plugs must match the outlet. Never modify the plug in any way. Do not use any adapter plugs with earthed (grounded) power tools.** Unmodified plugs and matching outlets will reduce risk of electric shock.
- b) **Avoid body contact with earthed or grounded surfaces such as pipes, radiators, ranges and refrigerators.** There is an increased risk of electric shock if your body is earthed or grounded.
- c) **Do not expose power tools to rain or wet conditions.** Water entering a power tool will increase the risk of electric shock.
- d) **Do not abuse the cord. Never use the cord for carrying, pulling or unplugging the power tool. Keep cord away from heat, oil, sharp edges or moving parts.** Damaged or entangled cords increase the risk of electric shock.
- e) **When operating a power tool outdoors, use an extension cord suitable for outdoor use.** Use of a cord suitable for outdoor use reduces the risk of electric shock.
- f) **If operating a power tool in a damp location is unavoidable, use a residual current device (RCD) protected supply.** Use of an RCD reduces the risk of electric shock.

3) PERSONAL SAFETY

- a) **Stay alert, watch what you are doing and use common sense when operating a power tool. Do not use a power tool while you are tired or under the influence of drugs, alcohol or medication.** A moment of inattention while operating power tools may result in serious personal injury.

- b) **Use personal protective equipment. Always wear eye protection.** Protective equipment such as a dust mask, non-skid safety shoes, hard hat, or hearing protection used for appropriate conditions will reduce personal injuries.
 - c) **Prevent unintentional starting. Ensure the switch is in the off-position before connecting to power source and/or battery pack, picking up or carrying the tool.** Carrying power tools with your finger on the switch or energising power tools that have the switch on invites accidents.
 - d) **Remove any adjusting key or wrench before turning the power tool on.** A wrench or a key left attached to a rotating part of the power tool may result in personal injury.
 - e) **Do not overreach. Keep proper footing and balance at all times.** This enables better control of the power tool in unexpected situations.
 - f) **Dress properly. Do not wear loose clothing or jewellery. Keep your hair and clothing away from moving parts.** Loose clothes, jewellery or long hair can be caught in moving parts.
 - g) **If devices are provided for the connection of dust extraction and collection facilities, ensure these are connected and properly used.** Use of dust collection can reduce dust-related hazards.
 - h) **Do not let familiarity gained from frequent use of tools allow you to become complacent and ignore tool safety principles.** A careless action can cause severe injury within a fraction of a second.
- #### 4) POWER TOOL USE AND CARE
- a) **Do not force the power tool. Use the correct power tool for your application.** The correct power tool will do the job better and safer at the rate for which it was designed.
 - b) **Do not use the power tool if the switch does not turn it on and off.** Any power tool that cannot be controlled with the switch is dangerous and must be repaired.
 - c) **Disconnect the plug from the power source and/or remove the battery pack, if detachable, from the power tool before making any adjustments, changing accessories, or storing power tools.** Such preventive safety measures reduce the risk of starting the power tool accidentally.
 - d) **Store idle power tools out of the reach of children and do not allow persons unfamiliar with the power tool or these instructions to operate the power tool.** Power tools are dangerous in the hands of untrained users.
 - e) **Maintain power tools and accessories. Check for misalignment or binding of moving parts, breakage of parts and any other condition that may affect the power tool's operation. If damaged, have the power tool repaired before use.** Many accidents are caused by poorly maintained power tools.
 - f) **Keep cutting tools sharp and clean.** Properly maintained cutting tools with sharp cutting edges are less likely to bind and are easier to control.
 - g) **Use the power tool, accessories and tool bits etc., in accordance with these instructions, taking into account the working conditions and the work to be performed.** Use of the power tool for operations different from those intended could result in a hazardous situation.

- h) **Keep handles and grasping surfaces dry, clean and free from oil and grease.** Slippery handles and grasping surfaces do not allow for safe handling and control of the tool in unexpected situations.
- 5) **BATTERY TOOL USE AND CARE**
 - a) **Recharge only with the charger specified by the manufacturer.** A charger that is suitable for one type of battery pack may create a risk of fire when used with another battery pack.
 - b) **Use power tools only with specifically designated battery packs.** Use of any other battery packs may create a risk of injury and fire.
 - c) **When battery pack is not in use, keep it away from other metal objects like paper clips, coins, keys, nails, screws, or other small metal objects that can make a connection from one terminal to another.** Shorting the battery terminals together may cause burns or a fire.
 - d) **Under abusive conditions, liquid may be ejected from the battery; avoid contact. If contact accidentally occurs, flush with water. If liquid contacts eyes, additionally seek medical help.** Liquid ejected from the battery may cause irritation or burns.
 - e) **Do not use a battery pack or tool that is damaged or modified.** Damaged or modified batteries may exhibit unpredictable behaviour resulting in fire, explosion or risk of injury.
 - f) **Do not expose a battery pack or tool to fire or excessive temperature.** Exposure to fire or temperature above 130°C may cause explosion.
 - g) **Follow all charging instructions and do not charge the battery pack or tool outside the temperature range specified in the instructions.** Charging improperly or at temperatures outside the specified range may damage the battery and increase the risk of fire.
- 6) **SERVICE**
 - a) **Have your power tool serviced by a qualified repair person using only identical replacement parts.** This will ensure that the safety of the power tool is maintained.
 - b) **Never service damaged battery packs.** Service of battery packs should only be performed by the manufacturer or authorized service providers.

SAFETY INSTRUCTIONS FOR CORDLESS SCREWDRIVERS

GENERAL

- **Do not work materials containing asbestos** (asbestos is considered carcinogenic)
- Dust from material such as paintcontaining lead, some wood species, minerals and metal may be harmful (contact with or inhalation of the dust may cause allergic reactions and/or respiratory diseases to the operator or bystanders); **wear a dust mask and work with a dust extraction device when connectable**
- Certain kinds of dust are classified as carcinogenic (such as oak and beech dust) especially in conjunction with additives for wood conditioning; **wear a dust mask and work with a dust extraction device when connectable**
- Follow the dust-related national requirements for the materials you want to work with
- Do not expose tool/charger to rain
- Do not disassemble charger or tool

- Ensure not to activate the forward/reverse selector before making any adjustments or changing accessories as well as when carrying or storing the tool
- **This charger can be used by children aged 8 and above and by persons who have physical, sensory or mental limitations or a lack of experience or knowledge if a person responsible for their safety supervises them or has instructed them in the safe operation of the charger and they understand the associated dangers** (otherwise, there is a danger of operating errors and injuries)
- **Supervise children** (this will ensure that children do not play with the charger)
- **Cleaning and user maintenance of the battery charger shall not be made by children without supervision**
- Do not use charger when damaged
- If the supply cord is damaged, it must be replaced by the manufacturer, its service agent or similarly qualified persons in order to avoid a hazard.

ACCESSORIES

- SKIL can assure flawless functioning of the tool only when original accessories are used

BEFORE USE

- Always check that the supply voltage is the same as the voltage indicated on the nameplate of the charger
- Avoid damage that can be caused by screws, nails and other elements in your workpiece; remove them before you start working
- **Secure the workpiece** (a workpiece clamped with clamping devices or in a vice is held more securely than by hand)
- **Use suitable detectors to find hidden utility lines or call the local utility company for assistance** (contact with electric lines can lead to fire or electrical shock; damaging a gas line can result in an explosion; penetrating a water pipe will cause property damage or an electrical shock)

DURING USE

- **Hold the power tool by insulated gripping surfaces, when performing an operation where the cutting accessory or fastener may contact hidden wiring** (cutting accessory and fasteners contacting a "live" wire may make exposed metal parts of the power tool "live" and could give the operator an electric shock)
- In case of electrical or mechanical malfunction, immediately switch off the tool or unplug charger from power source

EXPLANATION OF SYMBOLS ON TOOL/CHARGER

- ③ Read the instruction manual beforeuse
- ④ Only use the charger indoors
- ⑤ Incorrect polarity of the charger connection could cause a hazard (only charge the battery with the charger supplied)
- ⑥ Do not dispose of electric tools and batteries together with household waste material

USE

- Charging battery ⑦
! a battery that is new or has not been used for a longer period does not develop its full capacity until after approximately 5 charging/discharging cycles
 - connect charger with both wall socket and contact
 - indicator light will flash GREEN indicating that the battery is being charged

- when the battery is fully charged, indicator light stay green
- the lithium-ion battery can be charged at any time (interrupting the charging procedure does not damage the battery)
- the lithium-ion battery does not have to be empty before charging (no "memory-effect" as with nickelcadmium batteries)
- the tool cannot be used during the charging procedure; it is not defective when inoperative during the charging procedure
- if you anticipate long periods of nonuse for the tool, it is best to unplug the charger from its power source
- Changing direction of rotation ⑧
 - The forward/reverse selector determines the rotation direction of the tool and serves as the on/off switch
 - ! change direction of rotation only when tool is at a complete standstill**
- Changing bits ⑨
 - push bit to end position in bitholder
 - ! do not activate the forward/reverse selector when installing or removing bits**
 - ! do not use bits with a damaged shank**
- LED worklights
 - Two LED worklights, located on the head of the tool, illuminate when the forward/reverse selector is rotated
 - The LED worklights will automatically turn off 8 to 12 seconds after the forward/reverse selector is released
- Screw Driving ⑩
 - Grasp only the handle of the tool and align the bit perpendicular to the screw
 - Apply just enough pressure to keep the bit engaged on the screw
 - To tighten a screw, rotate the forward/reverse selector counterclockwise
 - To loosen a screw, rotate the forward/reverse selector clockwise
- Detecting AC Circuits in Cords, Switches, and Outlets ⑪
 - The Circuit Sensor™ Technology detects a complete (live) circuit when it is within 1in. of the AC source.
 - ! do not insert any part of the tool, including the bit, into an electrical outlet for any reason**
 - ! never touch any portion of the tool to any potentially live circuit.**
 - ! operating at household voltage (100-230V AC)**
 - ! recommended optimal operating distance is 1 inch**
 - ! Failure to obey this warning could cause serious personal injury and damage to the tool**
 - Press the Circuit Sensor button. The red detection indicator will blink once and the buzzer will beep once to indicate that the Circuit Sensor function is activated
 - Align the side of the Circuit Sensor body adjacent to a possible live source. Do not touch the tool to the outlet, switch, or cord.
 - Keep the Circuit Sensor button depressed. Move the tool adjacent to the anticipated AC source (cord, switch, or outlet). When an AC source is located, the red LED indicator will illuminate and the buzzer will sound.
 - After detecting the AC source, turn off the power at the breaker panel, and use the Circuit Sensor™ Technology to confirm that there is no power at the outlet, switch, or cord before initiating any repairs.

APPLICATION ADVICE

- Use the appropriate bits ⑫
- ! do not use damaged bits**
- ! only use bits with hexagon shaft**
- When turning in a screw at/near the cross cut end or an edge of wood, predrill a hole in order to avoid cracking of the wood
- For an optimal use of the tool a steady pressure on the screw is required, especially while removing
- When screwdriving in hard wood one should pre-drill a hole

MAINTENANCE

- This tool is not intended for professional use
- Keep tool and charger clean
- ! unplug charger from power source before cleaning**

ENVIRONMENT

- **Do not dispose of electric tools, batteries, accessories and packaging together with household waste material. The electric tools, accessories and packaging should be sorted for environmental-friendly recycling**
- ! prior to disposal protect battery terminals with heavy tape to prevent short-circuit**

WARRANTY

SKIL WARRANTY POLICY

For all SKIL warranty & enquiries, please contact 1300 01 SKIL (1300 01 7545) Monday to Friday 9:00am to 5:00pm EST

Chervon Australia Pty Ltd ABN 36 165 077 501 (“Chervon”) warrants to the original domestic purchaser that this product will be free from defects in materials and workmanship for 5 years from date of purchase, and any battery or charger will be free from defects in materials and workmanship for 3 years from date of purchase. Please note SKIL products are intended for DIY (Do It Yourself) use only. SKIL Products are not designed or intended for commercial or trade use and if the products are used in any commercial or trade applications, the warranty will not apply. Consumables will be covered by a 3-month warranty and a complete list can be found inside the manual. This SKIL product warranty is only applicable to purchases from authorised SKIL retailers. This warranty will not apply to SKIL products that are purchased from Amazon, eBay and any other non-authorised online retailer. This SKIL product warranty does not apply to any parallel imported product and does not apply to any SKIL products that are not purchased from an authorised SKIL retailer. To make a claim, return the faulty item together with proof of purchase directly to your closest service agent or to the place of purchase. Any handling and transportation costs (and other expenses incurred in claiming this warranty) are not covered by this warranty and will not be borne by Chervon. The replacement product or part or repaired product will be made available for your collection at an address nominated by Chervon. Where a valid warranty claim is made, Chervon will replace the defective product or repair the fault. Where the product is repaired, Chervon may use refurbished parts. This warranty does not cover normal wear and tear, misuse or abuse. This warranty may also be further limited or voided as specifically detailed in the product Manual. Chervon has no other liability under this warranty. The benefits to you given by this warranty are in addition to other rights and remedies imposed by State and Federal legislation that cannot be excluded. Our goods come with guarantees that cannot be excluded under the Australian Consumer Law. You are entitled to a replacement or refund for a major failure and compensation for any other reasonably foreseeable loss or damage. You are also entitled to have the goods repaired or replaced if the goods fail to be of acceptable quality and the failure does not amount to a major failure. Chervon Australia Pty Ltd, Unit 14, 5 Kelletts Road, Rowville, VIC. 3178. Ph: 1300 01 SKIL (1300 01 7545). Email: support@skil.com.au

The following consumables have a 3-month warranty period:

Brushes	Collets
Dust canisters	Angle grinder flanges
Allen keys	Chucks

