

SKIL



Model: LH5523E-00

PWRCORE 20™ **Cordless Spot Light**

⚠ WARNING: To reduce the risk of injury, the user must read and understand the Owner's Manual before using this product. Save these instructions for future reference.



For Customer Service

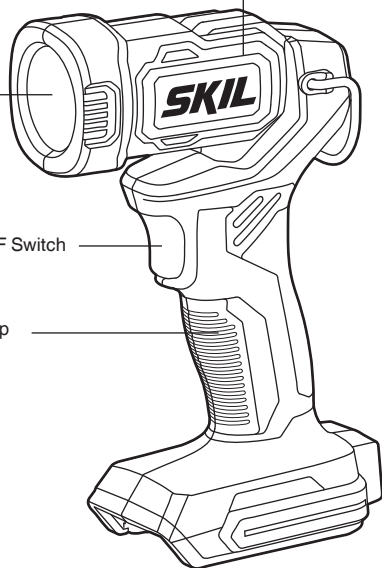
1300-017-545 OR **www.skil.com.au**

1

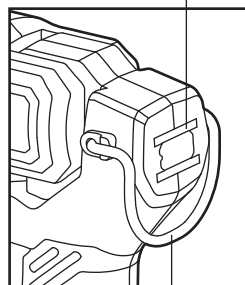
Lens (Transparent Cover) Pivoting Head

ON/OFF Switch

Soft Grip



Magnets



Hanging Loop

2 SPECIFICATIONS

Rated Voltage	18V d.c. (20V max)
Head pivot range	0-104°

3



4

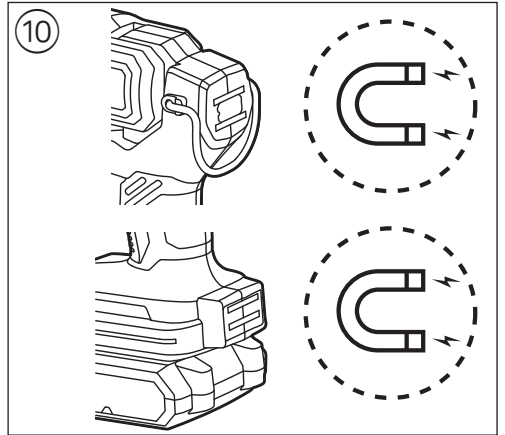
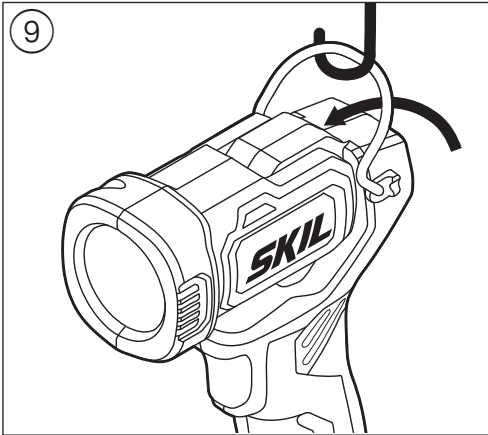
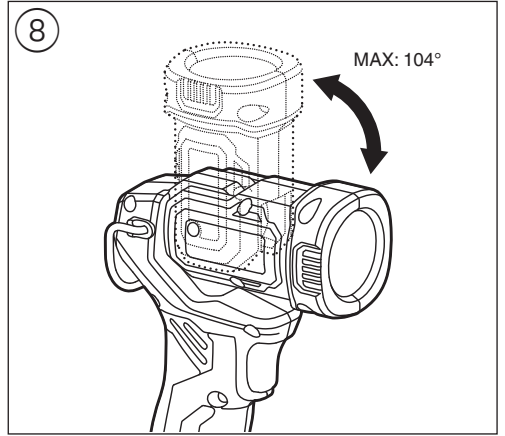
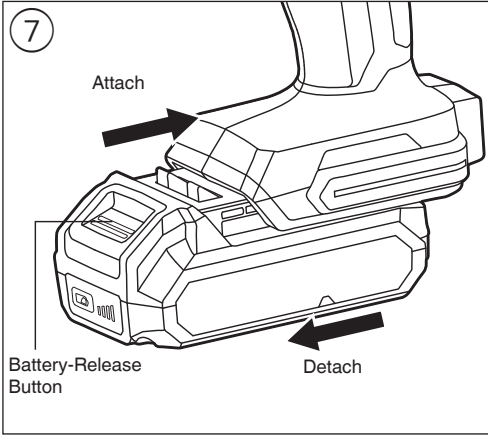


5



6





INTRODUCTION

- The spot light is intended for illumination in dry indoor areas
- This tool is not intended for professional use
- Read this instruction manual carefully before use and save it for future reference^③

SAFETY

GENERAL SAFETY INSTRUCTION FOR SPOT LIGHT

- Handle the spot with care
- Do not direct the light beam at persons or animals and do not stare into the light beam yourself (not even from a distance)
- Do not cover off the lamp head while operating the spot light (the lamp head heats up during operation and can cause burns when the heat accumulates)
- **Only use the following batteries and chargers with this tool**
 - SKIL battery: BY5197E-03 BY5196E-03
 - SKIL charger: SC5358E-01 QC5360E-01
- Do not use battery when damaged; it should be replaced immediately
- Do not disassemble the battery.
- Do not expose tool/battery to rain.
- Permitted ambient temperature (tool/charger/battery):
 - when charging 4...40°C
 - during operation -20...+50°C
 - during storage -20...+50°C

EXPLANATION OF SYMBOLS ON TOOL

- ^③ Read the instruction manual before use
- ^④ Do not dispose of electric tools and batteries together with household waste material
- ^⑤ Insulation class III
- ^⑥ Do not stare into the light beam

USE

- Removing/installing the battery^⑦
- Two-Stage Brightness Adjustment Controlled by ON/OFF Switch
- Your tool is equipped with a two-stage brightness adjustment, providing different light intensities for your operation.
 - Depress the ON/OFF switch to turn on the light: the light is in the high light mode.
 - Depress the ON/OFF switch again to change to the low light mode.
 - Depress a third time to turn the light off
- Adjusting the pivoting head^⑧
- The light head pivots 104° for maximum flexibility. Manually move the head to any position within the pivot range. Do not force the head beyond that range.
- Loop and magnets
- Using the hanging loop and magnets, the light can be placed in multiple locations for ideal lighting.
 - Loop^⑨
- Your tool is equipped with a loop. It can be carried or hung to an object with the loop.
 - Magnets^⑩
Attach the spot light to ferromagnetic area with the integrated magnets.

MAINTENANCE / SERVICE

- This tool is not intended for professional use.
- Always keep tool clean.
 - ! **remove battery from tool before cleaning**

ENVIRONMENT

- **Do not dispose of electric tools, batteries, accessories and packaging together with household waste material. The electric tools, accessories and packaging should be sorted for environmental-friendly recycling**
 - ! **prior to disposal protect battery terminals with heavy tape to prevent short-circuit**

WARRANTY

SKIL WARRANTY POLICY

For all SKIL warranty & enquiries, please contact 1300 01 SKIL (1300 01 7545) Monday to Friday 9:00am to 5:00pm EST

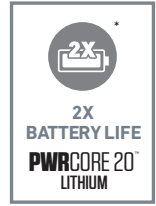
Chervon Australia Pty Ltd ABN 36 165 077 501 ("Chervon") warrants to the original domestic purchaser that this product will be free from defects in materials and workmanship for 5 years from date of purchase, and any battery or charger will be free from defects in materials and workmanship for 3 years from date of purchase. Please note SKIL products are intended for DIY (Do It Yourself) use only. SKIL Products are not designed or intended for commercial or trade use and if the products are used in any commercial or trade applications, the warranty will not apply. Consumables will be covered by a 3-month warranty and a complete list can be found inside the manual. This SKIL product warranty is only applicable to purchases from authorised SKIL retailers. This warranty will not apply to SKIL products that are purchased from Amazon, eBay and any other non-authorized online retailer. This SKIL product warranty does not apply to any parallel imported product and does not apply to any SKIL products that are not purchased from an authorised SKIL retailer. To make a claim, return the faulty item together with proof of purchase directly to your closest service agent or to the place of purchase. Any handling and transportation costs (and other expenses incurred in claiming this warranty) are not covered by this warranty and will not be borne by Chervon. The replacement product or part or repaired product will be made available for your collection at an address nominated by Chervon. Where a valid warranty claim is made, Chervon will replace the defective product or repair the fault. Where the product is repaired, Chervon may use refurbished parts. This warranty does not cover normal wear and tear, misuse or abuse. This warranty may also be further limited or voided as specifically detailed in the product Manual. Chervon has no other liability under this warranty. The benefits to you given by this warranty are in addition to other rights and remedies imposed by State and Federal legislation that cannot be excluded. Our goods come with guarantees that cannot be excluded under the Australian Consumer Law. You are entitled to a replacement or refund for a major failure and compensation for any other reasonably foreseeable loss or damage. You are also entitled to have the goods repaired or replaced if the goods fail to be of acceptable quality and the failure does not amount to a major failure. Chervon Australia Pty Ltd, Unit 14, 5 Kelletts Road, Rowville, VIC. 3178. Ph: 1300 01 SKIL (1300 01 7545). Email: support@skil.com.au

The following consumables have a 3-month warranty period:

Brushes	Collets
Dust canisters	Angle grinder flanges
Allen keys	Chucks



Industry leading battery technology wraps each cell with cooling material to keep the battery powering on for 25% longer run time compare to general battery technology.



SKIL's patented technology extends the battery life 2X longer compare to general battery technology.

