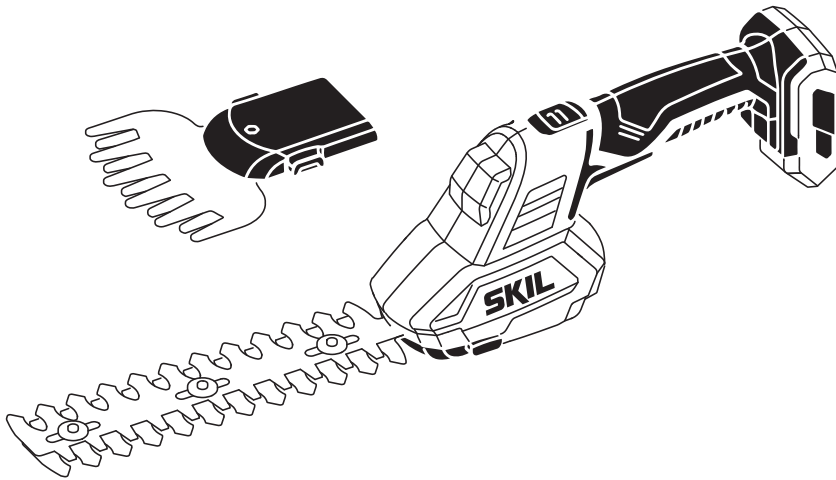


SKIL®



Model: GH4396E-00

PWRCORE 20™

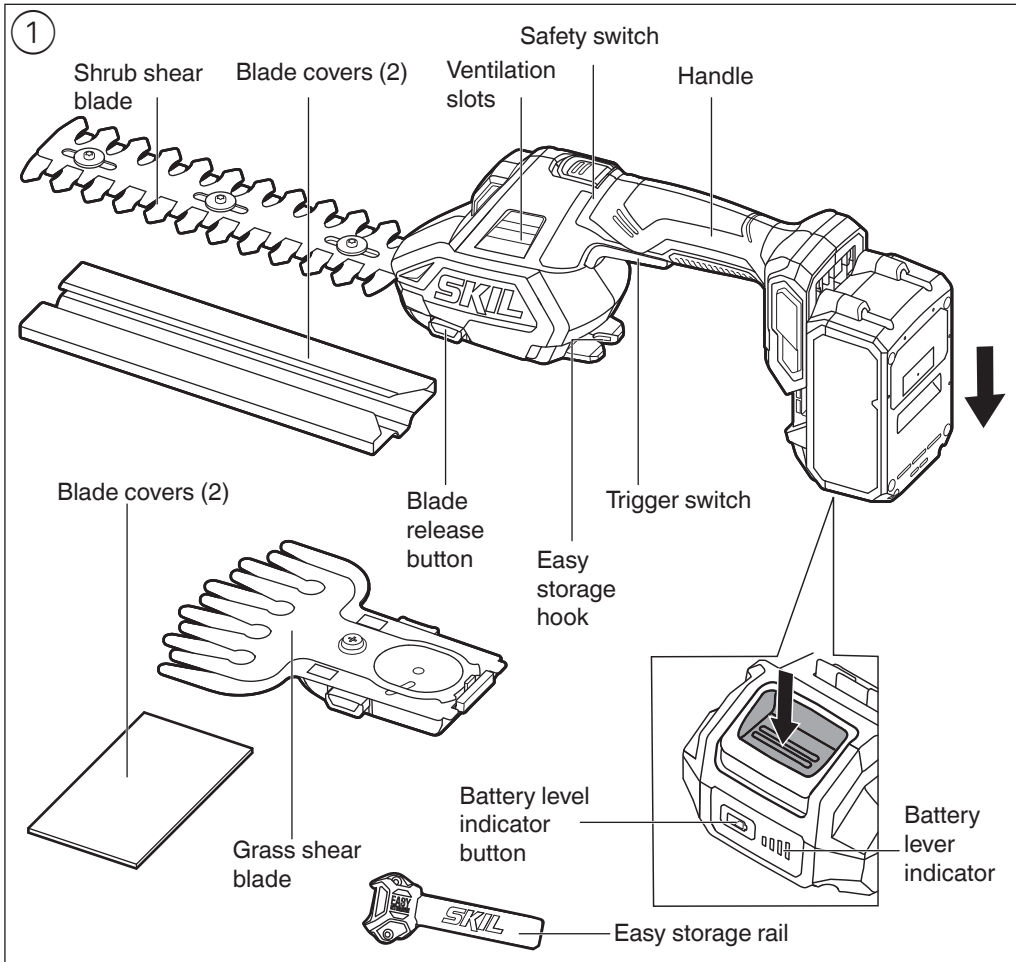
Cordless Shrub/Grass Shear

⚠ WARNING: To reduce the risk of injury, the user must read and understand the Owner's Manual before using this product. Save these instructions for future reference.



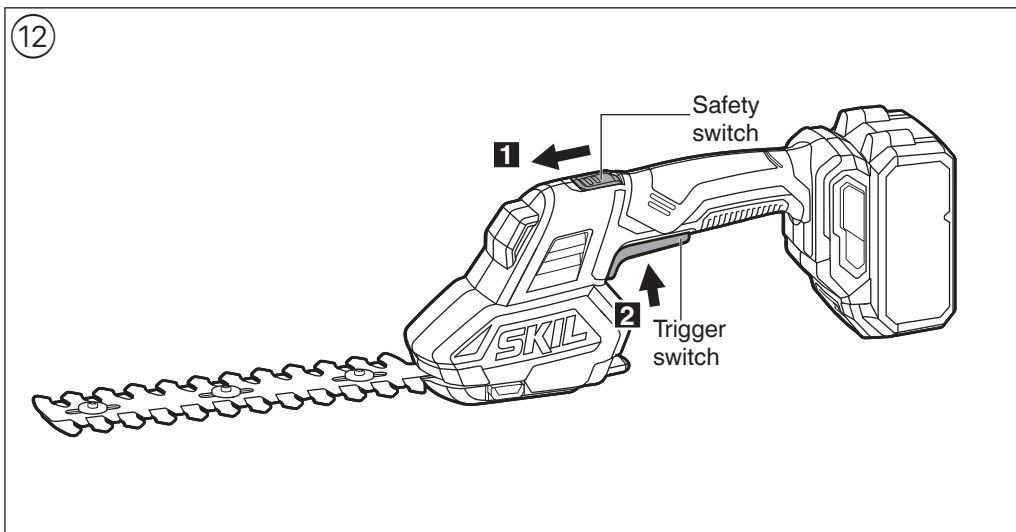
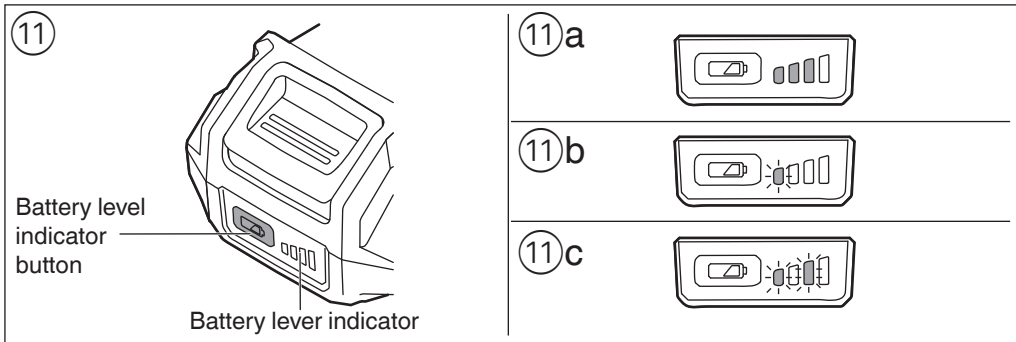
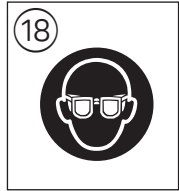
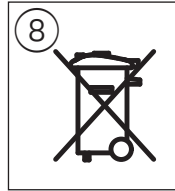
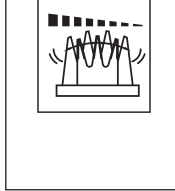
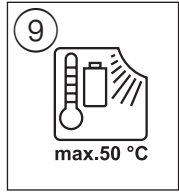
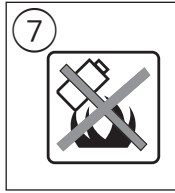
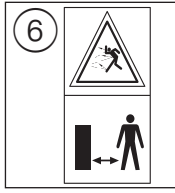
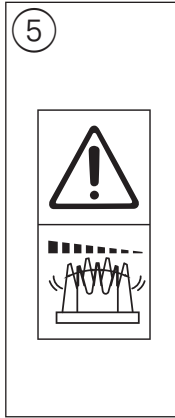
For Customer Service

1300-000-346 OR www.skil.com.au

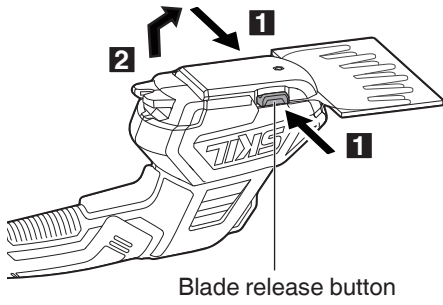


2 SPECIFICATIONS

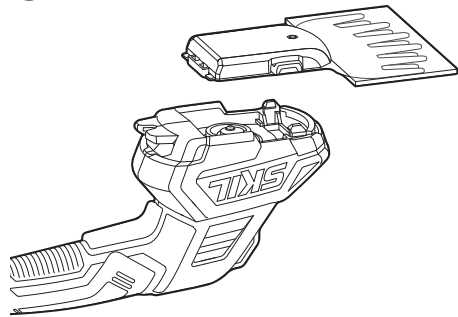
Rated Voltage	18V (20 V max d.c.)
Weight	1.4Kg (with 2.5Ah battery pack attached) 1.7Kg (with 5.0Ah battery pack attached)
Length of Shrub Shear Blade	200mm
Width of Grass Shear Blade	120mm
Max Cutting Capacity	8mm
No-Load Speed	1050/min



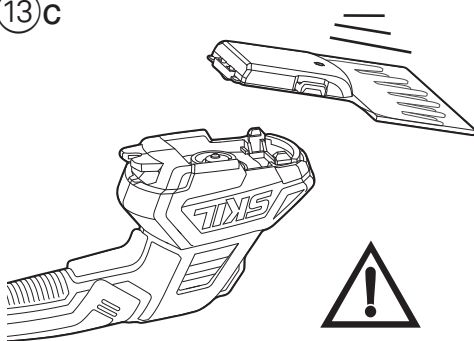
13 a



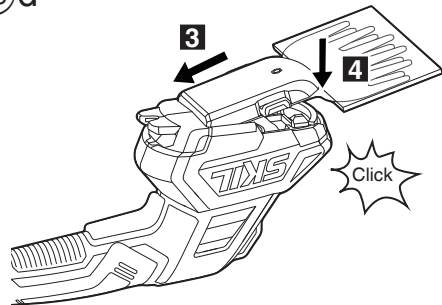
13 b



13 c

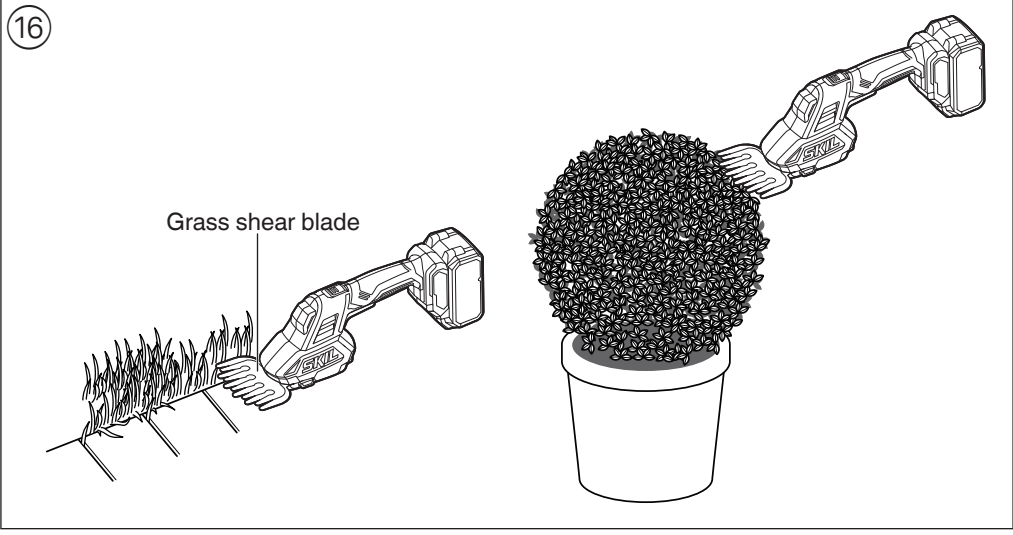
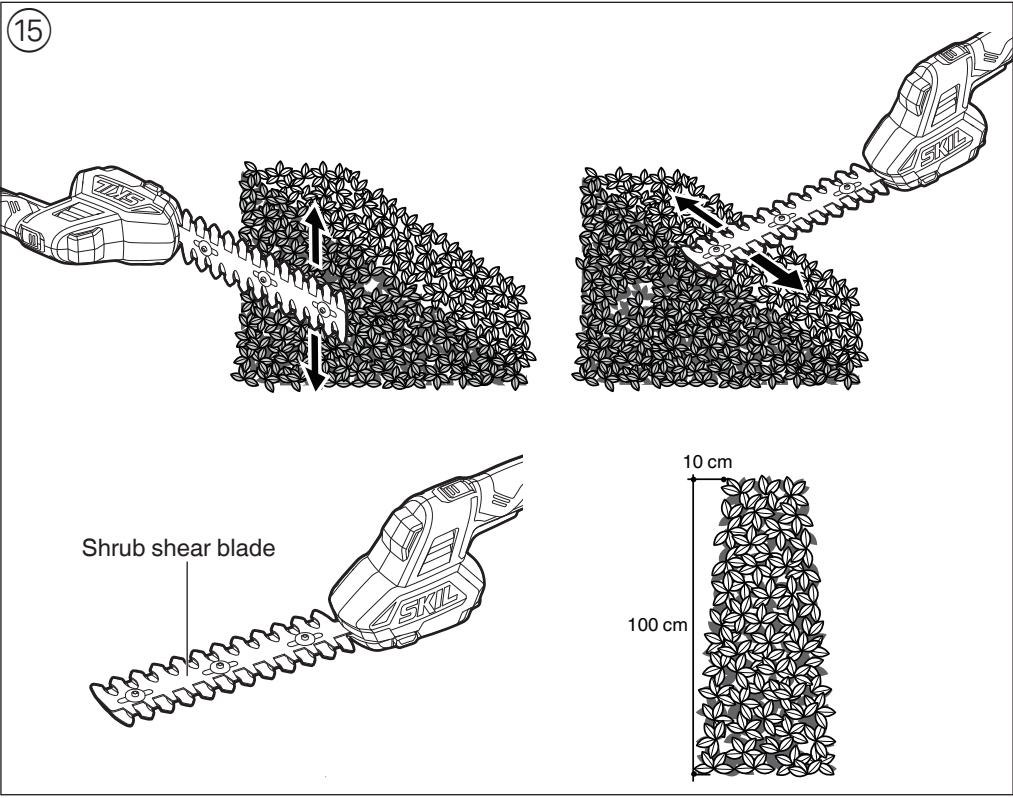


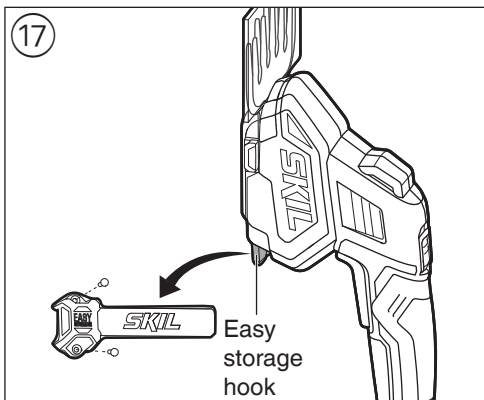
13 d



14







INTRODUCTION

- This tool has been designed for trimming grass, shrubs and hedges, and is intended for domestic use only
- This tool is not intended for professional use
- Read this instruction manual carefully before use and save it for future reference ③
- **Pay special attention to the safety instructions and warnings; failure to follow these may result in serious injury**
- Check whether the packaging contains all parts as illustrated in drawing ②
- When parts are missing or damaged, please contact your dealer

SAFETY

GENERAL POWER TOOL SAFETY WARNINGS

⚠ WARNING Read all safety warnings, instructions, illustrations and specifications provided with this power tool. Failure to follow all instructions listed below may result in electric shock, fire and/or serious injury.

Save all warnings and instructions for future reference.

The term "power tool" in the warnings refers to your mainsoperated (corded) power tool or battery-operated (cordless) power tool.

1) WORK AREA SAFETY

- a) Keep work area clean and well lit.** Cluttered or dark areas invite accidents.
- b) Do not operate power tools in explosive atmospheres, such as in the presence of flammable liquids, gases or dust.** Power tools create sparks which may ignite the dust or fumes.
- c) Keep children and bystanders away while operating a power tool.** Distractions can cause you to lose control.

2) ELECTRICAL SAFETY

- a) Power tool plugs must match the outlet. Never modify the plug in any way. Do not use any adapter plugs with earthed (grounded) power tools.** Unmodified plugs and matching outlets will reduce risk of electric shock.
- b) Avoid body contact with earthed or grounded surfaces such as pipes, radiators, ranges and refrigerators.** There is an increased risk of electric shock if your body is earthed or grounded.
- c) Do not expose power tools to rain or wet conditions.** Water entering a power tool will increase the risk of electric shock.
- d) Do not abuse the cord. Never use the cord for carrying, pulling or unplugging the power tool. Keep cord away from heat, oil, sharp edges or moving parts.** Damaged or entangled cords increase the risk of electric shock.
- e) When operating a power tool outdoors, use an extension cord suitable for outdoor use.** Use of a cord suitable for outdoor use reduces the risk of electric shock.
- f) If operating a power tool in a damp location is unavoidable, use a residual current device (RCD) protected supply.** Use of an RCD reduces the risk of electric shock.

3) PERSONAL SAFETY

- a) Stay alert, watch what you are doing and use common sense when operating a power tool. Do not use a power tool while you are tired or under the influence of drugs, alcohol or medication.** A moment of inattention while operating power tools may result in serious personal injury.
 - b) Use personal protective equipment. Always wear eye protection.** Protective equipment such as a dust mask, non-skid safety shoes, hard hat, or hearing protection used for appropriate conditions will reduce personal injuries.
 - c) Prevent unintentional starting. Ensure the switch is in the off-position before connecting to power source and/or battery pack, picking up or carrying the tool.** Carrying power tools with your finger on the switch or energising power tools that have the switch on invites accidents.
 - d) Remove any adjusting key or wrench before turning the power tool on.** A wrench or a key left attached to a rotating part of the power tool may result in personal injury.
 - e) Do not overreach. Keep proper footing and balance at all times.** This enables better control of the power tool in unexpected situations.
 - f) Dress properly. Do not wear loose clothing or jewellery. Keep your hair and clothing away from moving parts.** Loose clothes, jewellery or long hair can be caught in moving parts.
 - g) If devices are provided for the connection of dust extraction and collection facilities, ensure these are connected and properly used.** Use of dust collection can reduce dust-related hazards.
 - h) Do not let familiarity gained from frequent use of tools allow you to become complacent and ignore tool safety principles.** A careless action can cause severe injury within a fraction of a second.
- #### 4) POWER TOOL USE AND CARE
- a) Do not force the power tool. Use the correct power tool for your application.** The correct power tool will do the job better and safer at the rate for which it was designed.
 - b) Do not use the power tool if the switch does not turn it on and off.** Any power tool that cannot be controlled with the switch is dangerous and must be repaired.
 - c) Disconnect the plug from the power source and/or remove the battery pack, if detachable, from the power tool before making any adjustments, changing accessories, or storing power tools.** Such preventive safety measures reduce the risk of starting the power tool accidentally.
 - d) Store idle power tools out of the reach of children and do not allow persons unfamiliar with the power tool or these instructions to operate the power tool.** Power tools are dangerous in the hands of untrained users.
 - e) Maintain power tools and accessories. Check for misalignment or binding of moving parts, breakage of parts and any other condition that may affect the power tool's operation. If damaged, have the power tool repaired before use.** Many accidents are caused by poorly maintained power tools.

- f) **Keep cutting tools sharp and clean.** Properly maintained cutting tools with sharp cutting edges are less likely to bind and are easier to control.
- g) **Use the power tool, accessories and tool bits etc., in accordance with these instructions, taking into account the working conditions and the work to be performed.** Use of the power tool for operations different from those intended could result in a hazardous situation.
- h) **Keep handles and grasping surfaces dry, clean and free from oil and grease.** Slippery handles and grasping surfaces do not allow for safe handling and control of the tool in unexpected situations.
- 5) **BATTERY TOOL USE AND CARE**
 - a) **Recharge only with the charger specified by the manufacturer.** A charger that is suitable for one type of battery pack may create a risk of fire when used with another battery pack.
 - b) **Use power tools only with specifically designated battery packs.** Use of any other battery packs may create a risk of injury and fire.
 - c) **When battery pack is not in use, keep it away from other metal objects like paper clips, coins, keys, nails, screws, or other small metal objects that can make a connection from one terminal to another.** Shorting the battery terminals together may cause burns or a fire.
 - d) **Under abusive conditions, liquid may be ejected from the battery; avoid contact. If contact accidentally occurs, flush with water. If liquid contacts eyes, additionally seek medical help.** Liquid ejected from the battery may cause irritation or burns.
 - e) **Do not use a battery pack or tool that is damaged or modified.** Damaged or modified batteries may exhibit unpredictable behaviour resulting in fire, explosion or risk of injury.
 - f) **Do not expose a battery pack or tool to fire or excessive temperature.** Exposure to fire or temperature above 130°C may cause explosion.
 - g) **Follow all charging instructions and do not charge the battery pack or tool outside the temperature range specified in the instructions.** Charging improperly or at temperatures outside the specified range may damage the battery and increase the risk of fire.
- 6) **SERVICE**
 - a) **Have your power tool serviced by a qualified repair person using only identical replacement parts.** This will ensure that the safety of the power tool is maintained.
 - b) **Never service damaged battery packs.** Service of battery packs should only be performed by the manufacturer or authorized service providers.

SPECIFIC SAFETY INSTRUCTIONS FOR CORDLESS SHRUB/GRASS SHEARS

- a) **Keep all parts of the body away from the blade. Do not remove cut material or hold material to be cut when blades are moving.** Blades continue to move after the switch is turned off. A moment of inattention while operating the hedge trimmer may result in serious personal injury.

- a) **Carry the hedge trimmer by the handle with the blade stopped and taking care not to operate any power switch.** Proper carrying of the hedge trimmer will decrease the risk of inadvertent starting and resultant personal injury from the blades.
- b) **When transporting or storing the hedge trimmer, always fit the blade cover.** Proper handling of the hedge trimmer will decrease the risk of personal injury from the blades.
- c) **When clearing jammed material or servicing the unit, make sure all power switches are off and the battery pack is removed or disconnected.** Unexpected actuation of the hedge trimmer while clearing jammed material or servicing may result in serious personal injury.
- d) **Hold the hedge trimmer by insulated gripping surfaces only, because the blade may contact hidden wiring.** Blades contacting a "live" wire may make exposed metal parts of the hedge trimmer "live" and could give the operator an electric shock.
- e) **Keep all power cords and cables away from cutting area.** Power cords or cables may be hidden in hedges or bushes and can be accidentally cut by the blade.
- f) **Do not use the hedge trimmer in bad weather conditions, especially when there is a risk of lightning.** This decreases the risk of being struck by lightning.

GENERAL

- **This tool is not intended for use by children and persons with reduced physical, sensory or mental capabilities, or lack of experience and knowledge or people unfamiliar with the instructions**
- **Local regulations may restrict the age of the operator**
- Ensure that children do not play with the tool
- Only use the tool in daylight or with appropriate artificial lighting
- Do not trim hedges when they are wet
- Never operate the tool in the direct vicinity of persons (especially children) and animals
- The user is responsible for accidents or hazards occurring to other people or their property
- Always switch off the tool and remove the battery
 - whenever leaving the tool unattended
 - before clearing jammed material
 - before checking, cleaning or working on the tool
 - after striking a foreign object
 - whenever the tool starts vibrating abnormally

BEFORE USE

- Before using the tool for the first time, it is recommended to receive practical information
- Check the functioning of the tool before each use and, in case of a defect, have it repaired immediately by a qualified person; never open the tool yourself
- Before use, thoroughly inspect the cutting area and remove all foreign objects that could be entangled in the cutting blades (such as stones, nails, wire fences, metal plant supports)

DURING USE

- Wear protective gloves, safety glasses, close-fitting clothes and hair protection (for long hair)
- Always wear long trousers, long sleeves and sturdy shoes when operating the tool

- Take a secure stance when working (do not overreach, especially when using steps or a ladder)
- Always ensure that the ventilation openings are kept clear of debris

AFTER USE

- Always switch off the tool and remove the battery

BATTERIES

- **The battery supplied is partially charged** (to ensure full capacity of the battery, completely charge the battery in the battery charger before using your power tool for the first time)
- **Only use the following batteries and chargers with this tool**
 - SKIL battery: BY5197E-03, BY5196E-03
 - SKIL charger: SC5358E-01, QC5360E-01, QC5359E-00
- Do not use the battery when damaged; it should be replaced
- Do not disassemble the battery
- Do not expose tool/battery to rain
- Permitted ambient temperature (tool/charger/battery):
 - when charging 4...40°C
 - during operation -20...+50°C
 - during storage -20...+50°C

EXPLANATION OF SYMBOLS ON TOOL/BATTERY

- ③ Read the instruction manual before use
- ④ Do not expose tool to rain
- ⑤ Warning! cutter blade continues to run after the motor is switched off
- ⑥ Keep bystanders away
- ⑦ Batteries may explode when disposed of in fire, so do not burn battery for any reason
- ⑧ Do not dispose of electric tools and batteries together with household waste material
- ⑨ Store tool/charger/battery in locations where temperature will not exceed 50°C
- ⑩ Keep hands away from blade
- ⑱ Wear protective glasses

USE

- Charging battery
 - ! **read the safety warnings and instructions provided with the charger**
- Removing/installing the battery ②
- Battery level indicator ⑪
 - press the battery level indicator button to show the current battery level ⑪a
 - ! **when the lowest level of the battery indicator starts flashing after pressing the battery level indicator button ⑪b, the battery is empty**
 - ! **when 2 levels of the battery indicator start flashing after pressing the battery level indicator button ⑪c, the battery is not within the allowable operating temperature range**
- Battery protection

The tool is suddenly being switched off or prevented from being switched on, when

 - **the load is too high** --> remove load and restart
 - **the battery temperature is not within the allowable operating temperature range of -20 to +50°C** --> 2 levels of the battery level indicator start flashing when pressing the battery level indicator button ⑪c; wait until battery has returned within the allowable

operating temperature range

- **the battery is nearly empty (to protect against deep discharge)** --> a low battery level or flashing low battery level ⑪b is shown by the battery level indicator when pressing the battery level indicator button ; charge battery

! do not continue to press the on/off switch after the tool is switched off automatically; battery may be damaged

- On/off ⑫
 - Prevents the tool from being switched on accidentally
 - switch on tool by first pressing safety switch and then pulling trigger switch
 - switch off tool by releasing trigger switch
 - move tool away from cutting area before switching off
 - ! **after switching off the tool the blade continues to rotate for a few seconds**
- Changing the blades ⑬
 - To prevent injuries, slip the blade guard over the blade.
 - To remove the blade ⑬a and ⑬b
 - ! **wear protective gloves**
 - turn tool upside down
 - press the two blade release buttons simultaneously and pull out the shrub shear blade or grass shear blade from the tool housing. Make sure that no dirt gets into the housing when you change the blade.
 - ! **When the two blade release buttons are pressed, the shrub shear blade or grass shear blade will drop out!** ⑬c

To install the blade ⑬d

Insert the narrow end of the shrub shear blade or grass shear blade into the tool housing. Press the blade housing against the tool housing until it engages with an audible click.

- Holding and guiding the tool
 - ! **while working, always hold the tool at the grey-coloured handle** ⑭
 - maintain a stable working position
 - keep your other hand away from the cutting blades
- Trimming hedges ⑮
 - trim the sides of the hedge first (from the bottom upwards), then cut the top
 - trim the side of a hedge in such a way that it will be slightly narrower at the top
 - use a hand saw or pruning shears to cut thicker branches
- Trimming grass and shrubs ⑯
 - when cutting long grass, work in stages from the top and take small cuts
 - for optimal cutting results, only cut dry grass
 - keep the tool away from solid objects in order to protect the cutting blades against excessive wear

APPLICATION ADVICE

- For trimming a hedge at a uniform height level
 - fasten a piece of string along the length of the hedge at the desired height
 - trim the hedge just above this string

MAINTENANCE / SERVICE

- This tool is not intended for professional use
 - ! **always switch off the tool and remove the battery**

- Keep tool and cutting blades clean
 - clean the tool with a damp cloth (do not use cleaning agents or solvents)
 - after use, always carefully clean and lightly lubricate the cutting blades
- **! wear gloves when handling or cleaning the cutting blades**
- Regularly check the condition of the cutting blades and the tightness of the blade bolts
- Regularly check for worn or damaged components and have them repaired/replaced when necessary
- Sharpening the cutting blades
 - remove cutting blades from tool before sharpening
 - sharpen the cutting blades with a small and smooth file, in case a solid object damaged them
 - we advise you, however, to have the blades sharpened by a specialist
 - lubricate the cutting blades after sharpening
- Storage ¹⁷
 - store the tool indoors in a dry and locked-up place, out of reach of children
 - securely mount storage rail on the wall with 2 screws (not supplied) and horizontally leveled
 - use blade covers when storing the tool
 - lubricate the cutting blades before storing the tool

TROUBLESHOOTING

- The following listing shows problem symptoms, possible causes and corrective actions (if these do not identify and correct the problem, contact your dealer or service station)
- ★ Tool operates intermittently
 - internal wiring defective -> contact dealer/service station
 - on/off switch defective -> contact dealer/service station
- ★ Motor runs but blades remain stationary
 - internal fault -> contact dealer/service station
- ★ Cutting blades hot
 - cutting blades blunt -> have blades sharpened
 - cutting blades have dents -> have blades inspected
 - too much friction due to lack of lubricant -> lubricate blades

ENVIRONMENT

- **Do not dispose of electric tools, batteries, accessories and packaging together with household waste material.** The electric tools, batteries, accessories and packaging should be sorted for environmental-friendly recycling
- **! Prior to disposal protect battery terminals with heavy tape to prevent short-circuit**

WARRANTY

For all SKIL warranty and enquiries, please contact Australia 1300 000 346 or New Zealand 0508 000 346 Monday to Friday 9:00am to 5:00pm EST

Chervon Australia Pty Ltd ABN 36 165 077 501 (“Chervon”) warrants to the original purchaser that this product will be free from defects in materials and workmanship for the period stated in the warranty table below from date of purchase by the end user.

PRODUCT OR MODEL NUMBER	LIMITED WARRANTY FOR CONSUMER USE (PERSONAL / DIY)	LIMITED WARRANTY FOR PROFESSIONAL USE (TRADE)
CORDLESS BRUSHED POWER TOOLS	5 YEARS	90 DAYS
CORDLESS BRUSHLESS POWER TOOLS	5 YEARS	1 YEAR
CORDLESS OPE RANGE (OUTDOOR POWER EQUIPMENT)	5 YEARS	N/A
BATTERIES & CHARGERS	3 YEARS	1 YEAR
CORDED (240V)	1 YEAR	90 DAYS
ACCESSORY / CONSUMABLES	3 MONTHS	3 MONTHS

This SKIL product warranty is only applicable to purchases from authorised SKIL retailers. This SKIL product warranty does not apply to any parallel imported product and does not apply to any SKIL products that are not purchased from an authorised SKIL retailer. To make a claim, return the faulty item together with proof of purchase directly to your closest service agent or to the place of purchase. Any handling and transportation costs (and other expenses incurred in claiming this warranty) are not covered by this warranty and will not be borne by Chervon. The replacement product or part or repaired product will be made available for your collection at an address nominated by Chervon. Where a valid warranty claim is made, Chervon will replace the defective product or repair the fault. Where the product is repaired, Chervon may use refurbished parts. This warranty does not cover normal wear and tear, misuse or abuse. This warranty may also be further limited or voided as specifically detailed in the product Manual. Chervon has no other liability under this warranty.

The benefits to you given by this warranty are in addition to other rights and remedies imposed by State and Federal legislation that cannot be excluded.

Our goods come with guarantees that cannot be excluded under the Australian Consumer Law and the New Zealand Consumer Guarantee Act 1993. You are entitled to a replacement or refund for a major failure and compensation for any other reasonably foreseeable loss or damage. You are also entitled to have the goods repaired or replaced if the goods fail to be of acceptable quality and the failure does not amount to a major failure.

The warranty applies to purchases made from authorised SKIL Dealers, which can be confirmed on the website store locator. For avoidance of doubt, 3rd party online stores such as eBay, Gumtree, Amazon, etc. are excluded.

Chervon Australia Pty Ltd, Unit 14, 5 Kelletts Rd, Rowville, VIC. 3178.
Chervon New Zealand Subsidiary Ltd, 4th Floor, Smith & Caughey Building, 253 Queen St, Auckland, 1141.
Phone Number: Australia 1300 000 346. Email: support@skil.com.au
Phone Number: New Zealand 0508 000 346. Email: support@skil.co.nz

