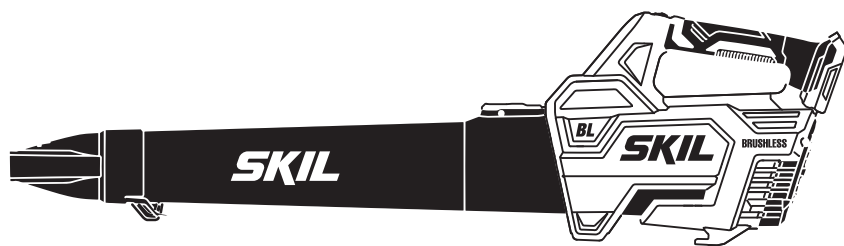


SKIL®



Model: BL4714E-00

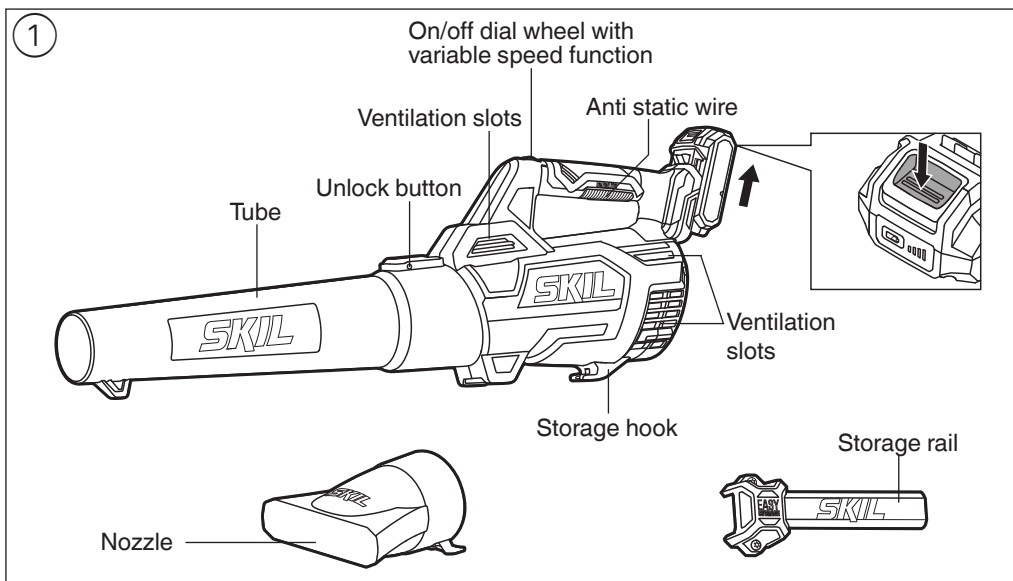
PWRCORE 20™ **Brushless Blower**

⚠ WARNING: To reduce the risk of injury, the user must read and understand the Owner's Manual before using this product. Save these instructions for future reference.



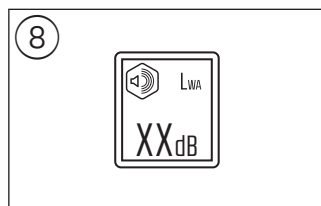
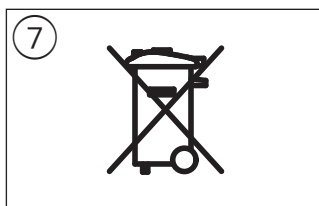
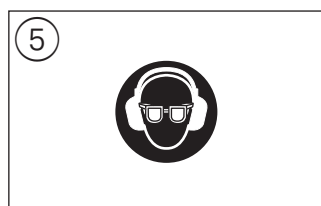
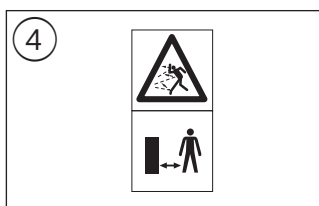
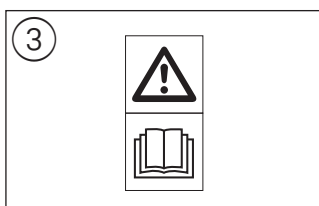
For Customer Service

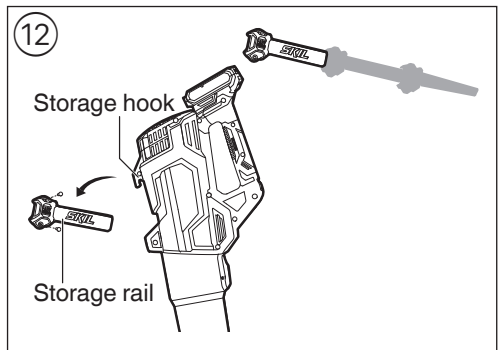
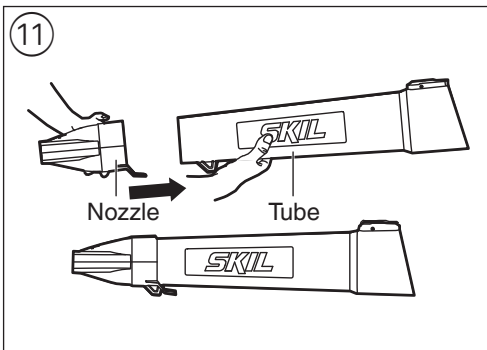
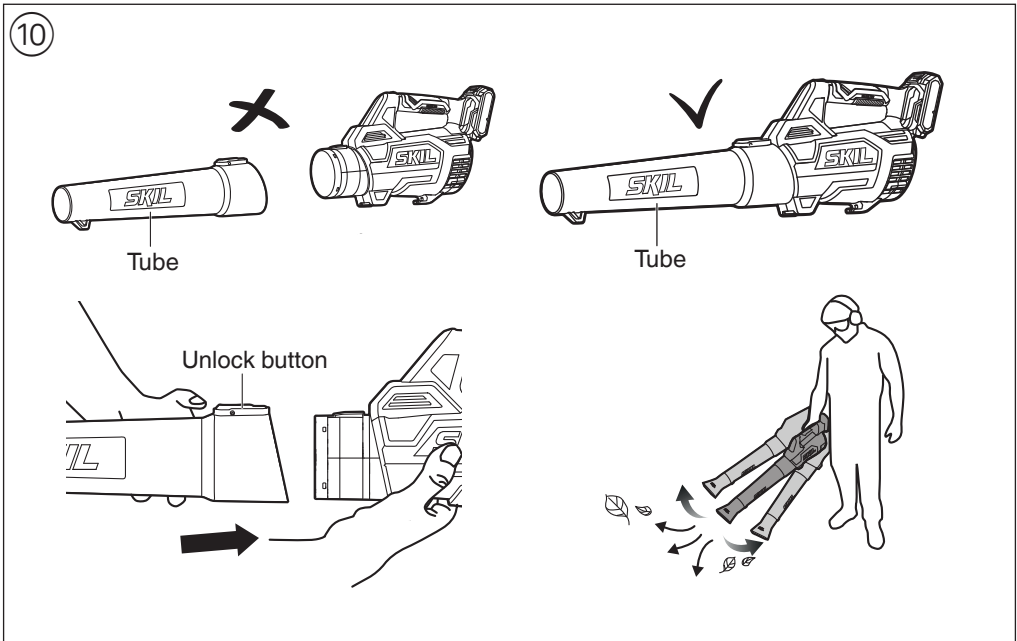
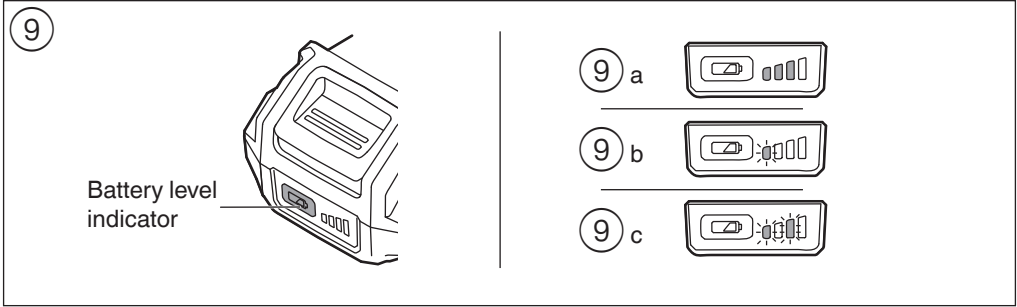
1300-017-545 OR **www.skil.com.au**



2 **SPECIFICATIONS**

Rated Voltage	20V max d.c.
Weight	2.3 kg (with 2.5 Ah battery pack attached)
Weight	2.6 kg (with 5.0 Ah battery pack attached)
Air Volume	680 m ³ /h
Air Velocity	160 km/h





INTRODUCTION

- This tool has been designed for blowing dry leaves and other dry garden rubbish such as grass and twigs
- This tool is intended for domestic use only and is not designed to be used under wet conditions
- This tool is not intended for professional use
- Check whether the packaging contains all parts as illustrated in drawing ①
- When parts are missing or damaged, please contact your dealer
- **Read this instruction manual carefully before use and save it for future reference** ③
- **Pay special attention to the safety instructions and warnings; failure to follow these may result in serious injury**

SAFETY

GENERAL

- Never allow children, persons with reduced physical, sensory or mental capabilities or lack of experience and knowledge or people unfamiliar with these instructions to use the machine
- Store idle power tools out of reach of children and do not allow persons unfamiliar with the blower or these instructions to operate the blower
- Only use the tool in daylight or with appropriate artificial lighting
- Only use the tool when completely assembled
- Avoid using the tool in bad weather conditions, especially when there is a risk of lightning
- Do not use the tool on wet lawns and when the materials to be blown are wet
- Do not blow at or towards hot, flammable or explosive materials
- Never operate the tool in the direct vicinity of persons (especially children) and animals
- The user is responsible for accidents or hazards occurring to other people or their property
- Always switch off the tool and remove the battery
 - whenever leaving the tool unattended
 - before clearing jammed material
 - before checking, cleaning or working on the tool
 - after striking a foreign object
 - whenever the tool starts vibrating abnormally

PERSONAL SAFETY

- Never blow debris in the direction of bystanders
- Always wear long trousers, long sleeves and sturdy shoes when operating the tool
- Wear protective gloves, safety glasses, close-fitting clothes and hair protection (for long hair)
- Failure to keep long hair away from the air inlet could result in personal injury
- Wear a dust mask when working in a dusty environment

ELECTRICAL SAFETY

- Do not use the tool if the switch does not turn on and off; always have a damaged switch repaired by a qualified person

BEFORE USE

- Be familiar with the controls and the proper use of the tool
- Check the functioning of the tool before each use and, in case of a defect, have it repaired immediately by a qualified person; never open the tool yourself

- Never operate the tool with a defective tube, nozzle or housing
- Replace worn or damaged parts
- Keep all nuts, bolts and screws tight to be sure that the tool is in a safe working condition

DURING USE

- Operate the tool at a walking pace only (do not run)
- Keep proper footing on slopes
- Always ensure the air inlets are kept clear of impurities
- Take a secure stance when working (do not overreach, especially when using steps or a ladder)

AFTER USE

- Store the tool **indoors** in a dry and locked-up place, out of reach of children
 - store the battery pack separately from the tool
- **Only use the following batteries and chargers with this tool**
 - SKIL battery: BY5197E-03 BY5196E-03
 - SKIL charger: SC5358E-01 QC5360E-01 QC5359E-00
- Do not use the battery when damaged; it should be replaced
- Do not disassemble the battery
- Do not expose tool/battery to rain
- Permitted ambient temperature (tool/charger/battery):
 - when charging 4...40°C
 - during operation -20...+50°C
 - during storage -20...+50°C

EXPLANATION OF SYMBOLS ON TOOL/BATTERY

- ③ Read the instruction manual before use
- ④ **Pay attention to the risk of injury caused by flying debris** (keep bystanders a safe distance away from work area)
- ⑤ Wear protective glasses and hearing protection
- ⑥ Do not expose tool to rain
- ⑦ Do not dispose of electric tools and batteries together with household waste material
- ⑧ Guaranteed sound power level

USE

- Assembly instructions ⑩
 - tube automatically fits on housing by snapping button
 - ensure that the tube is assembled correctly
 - nozzle automatically fits on tube by snapping lock lever ⑪
- Charging battery
 - ! **read the safety warnings and instructions provided with the charger**
- Removing/installing the battery ①
- On/off
 - switch on tool by turning wheel
 - with wheel the air flow control can be adjusted from 0 to high (0 - max)
 - ! **before switching on the tool, ensure that it is not in contact with any object**
 - ! **after switching off the tool the motor continues to run for a few seconds**
- Battery protection
 - The tool is suddenly being switched off or prevented from being switched on, when
 - **the load is too high** --> remove load and restart

- **the battery temperature is not within the allowable operating temperature range of -20 to +50°C** --> 2 levels of the battery level indicator start flashing when pressing button ⑨c; wait until battery has returned within the allowable operating temperature range
 - **the battery is nearly empty (to protect against deep discharge)** --> a low battery level or flashing low battery level ⑨b is shown by the battery level indicator when pressing button; charge battery
- ! do not continue to press the on/off switch after the tool is switched off automatically; battery may be damaged**

MAINTENANCE / SERVICE

- This tool is not intended for professional use
- Always switch off the tool, remove battery pack, and ensure that all moving parts have come to a complete standstill
- Always keep tool clean (especially ventilation slots ①)
 - clean the tool **after each use** with a soft brush or a cloth (do not use cleaning agents or solvents)
- Storage ⑫
 - securely mount storage rail on the wall with 2 screws (**not supplied**) and horizontally leveled
 - store the tool **indoors** in a dry and locked-up place, out of reach of children
 - do not cover the tool with plastic (plastic may cause moisture with rust/corrosion as a result)

TROUBLESHOOTING

- The following listing shows problem symptoms, possible causes and corrective actions (if these do not identify and correct the problem, contact your dealer or service station)
 - ! in case of electrical or mechanical malfunction, immediately switch off the tool and remove battery**
- ★ Motor does not start or stops suddenly
 - empty battery -> charge battery
 - hot battery -> let battery cool down
 - on/off switch defective -> contact dealer/service station
 - defective motor -> contact dealer/service station
- ★ Tool operates intermittently
 - on/off switch defective -> contact dealer/service station
 - internal wiring defective -> contact dealer/service station
 - impeller blocked by foreign object -> remove blockage

ENVIRONMENT

- Do not dispose of electric tools, batteries, accessories and packaging together with household waste material.** The electric tools, accessories and packaging should be sorted for environmental-friendly recycling
- ! prior to disposal protect battery terminals with heavy tape to prevent short-circuit**

WARRANTY

SKIL WARRANTY POLICY

For all SKIL warranty & enquiries, please contact 1300 01 SKIL (1300 01 7545) Monday to Friday 9:00am to 5:00pm EST

Chervon Australia Pty Ltd ABN 36 165 077 501 ("Chervon") warrants to the original domestic purchaser that this product will be free from defects in materials and workmanship for 5 years from date of purchase, and any battery or charger will be free from defects in materials and workmanship for 3 years from date of purchase. Consumables will be covered by a 3-month warranty and a complete list can be found inside the manual.

Notwithstanding the foregoing, if a SKIL consumer Power Tool is used for industrial, professional or commercial purposes, the foregoing warranty will apply for a duration of ninety days from the date of purchase. This ninety-day commercial warranty pertains to the SKIL Power Tool range only.

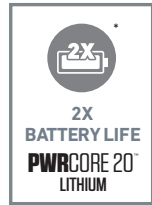
This SKIL product warranty is only applicable to purchases from authorised SKIL retailers. This warranty will not apply to SKIL products that are purchased from Amazon, eBay and any other non-authorised online retailer. This SKIL product warranty does not apply to any parallel imported product and does not apply to any SKIL products that are not purchased from an authorised SKIL retailer. To make a claim, return the faulty item together with proof of purchase directly to your closest service agent or to the place of purchase. Any handling and transportation costs (and other expenses incurred in claiming this warranty) are not covered by this warranty and will not be borne by Chervon. The replacement product or part or repaired product will be made available for your collection at an address nominated by Chervon. Where a valid warranty claim is made, Chervon will replace the defective product or repair the fault. Where the product is repaired, Chervon may use refurbished parts. This warranty does not cover normal wear and tear, misuse or abuse. This warranty may also be further limited or voided as specifically detailed in the product manual. Chervon has no other liability under this warranty. The benefits to you given by this warranty are in addition to other rights and remedies imposed by State and Federal legislation that cannot be excluded. Our goods come with guarantees that cannot be excluded under the Australian Consumer Law. You are entitled to a replacement or refund for a major failure and compensation for any other reasonably foreseeable loss or damage. You are also entitled to have the goods repaired or replaced if the goods fail to be of acceptable quality and the failure does not amount to a major failure. Chervon Australia Pty Ltd, Unit 14, 5 Kelletts Road, Rowville, VIC. 3178.
Ph; 1300 01 SKIL (1300 01 7545).
Email: support@skil.com.au

The following accessories and consumables have a 3-month warranty period:

Chucks	Allen keys
Brushes	Angle grinder flanges
Collets	Dust canisters



Industry leading battery technology wraps each cell with cooling material to keep the battery powering on for 25% longer run time compare to general battery technology.



SKIL's patented technology extends the battery life 2X longer compare to general battery technology.

