

SKIL®



Model: PM4912E-00

PWRCORE 20™ **Brushless Mower**

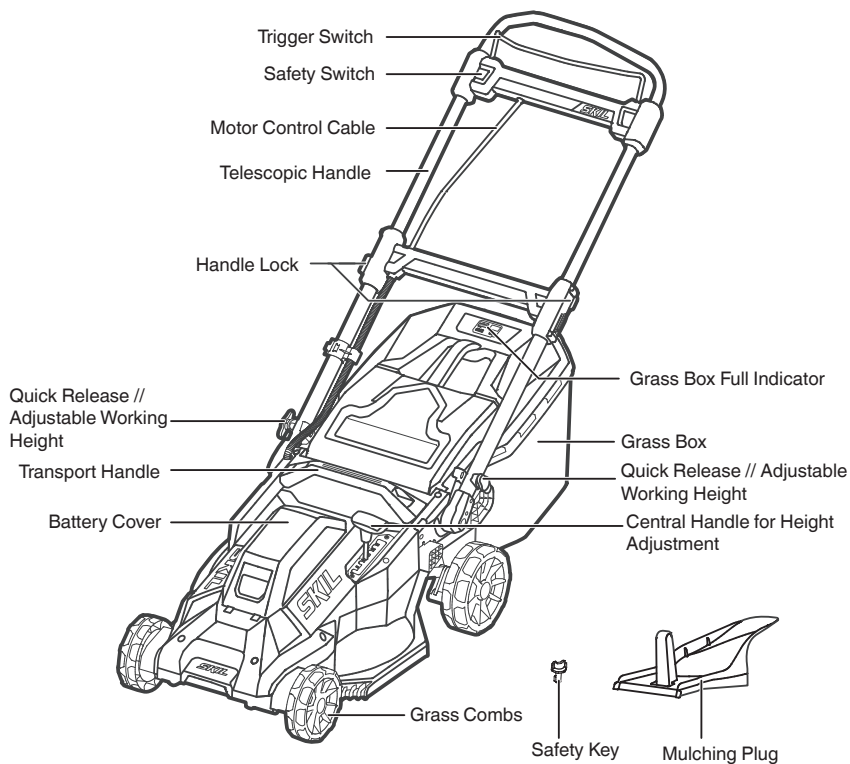
⚠ WARNING: To reduce the risk of injury, the user must read and understand the Owner's Manual before using this product. Save these instructions for future reference.



For Customer Service

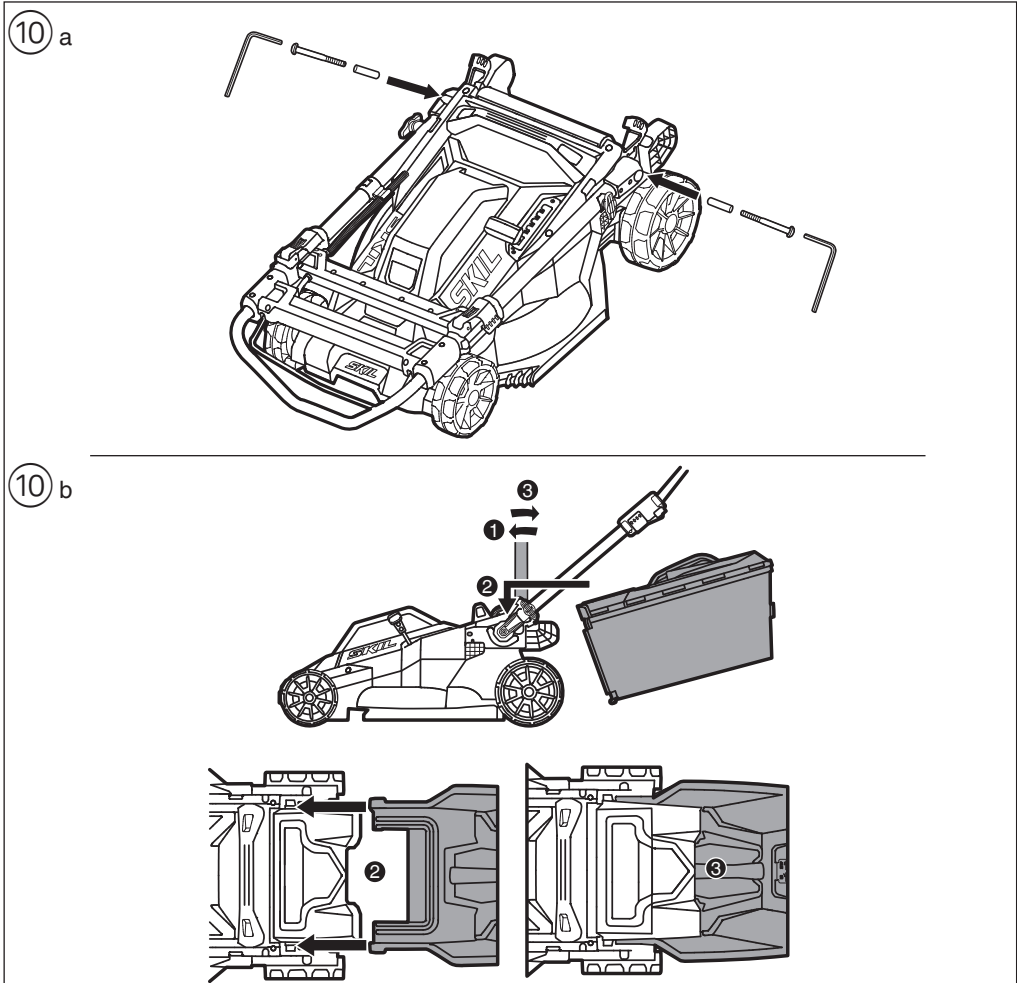
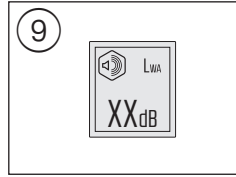
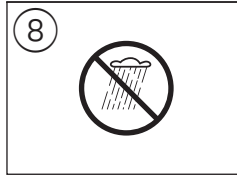
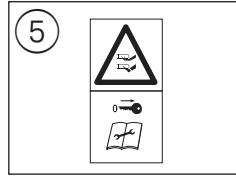
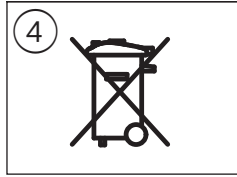
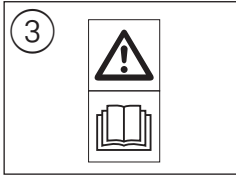
1300-017-545 OR **www.skil.com.au**

1

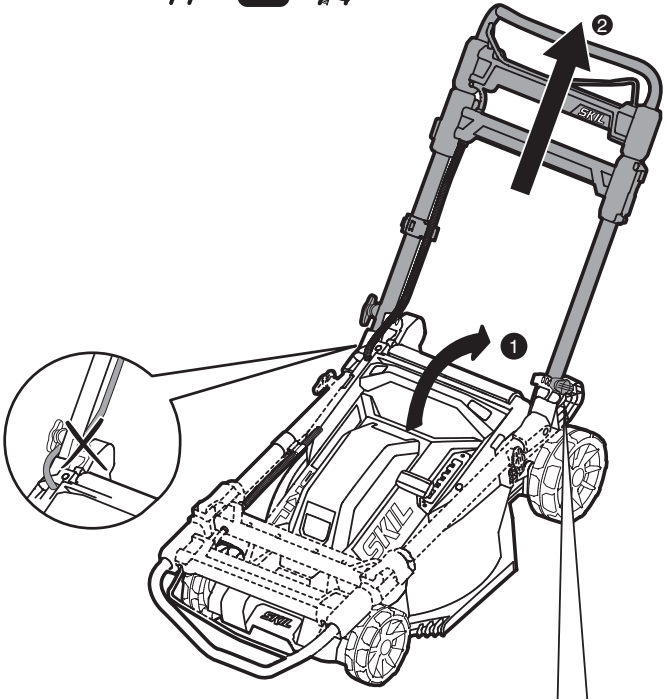
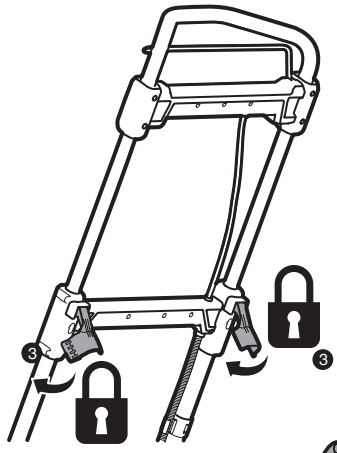
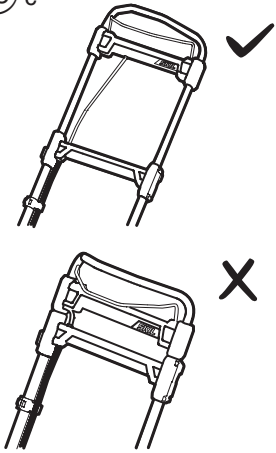


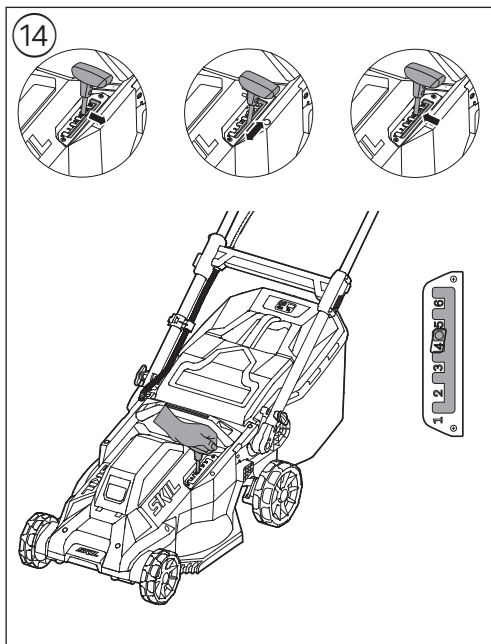
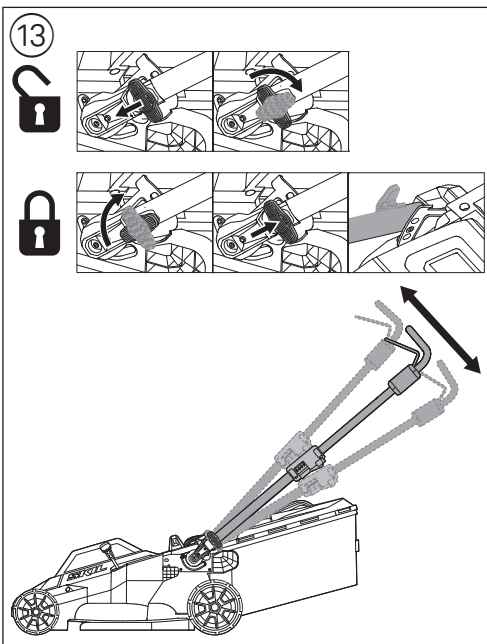
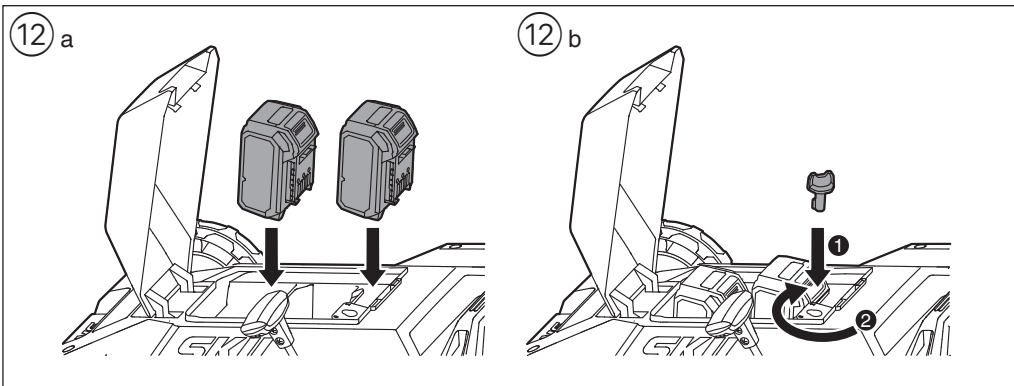
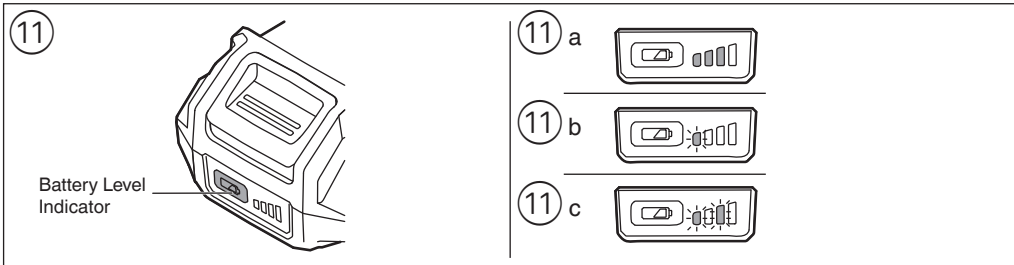
2 SPECIFICATIONS

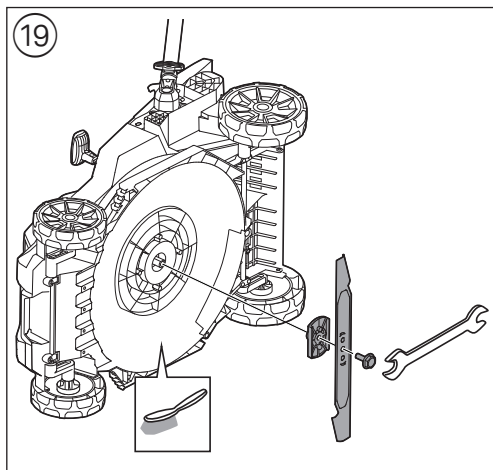
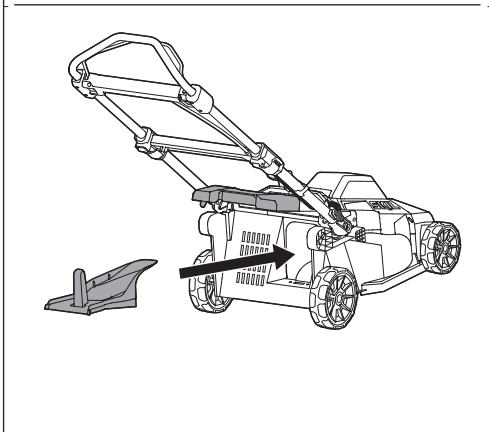
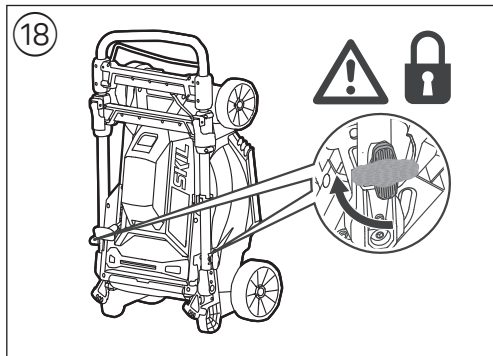
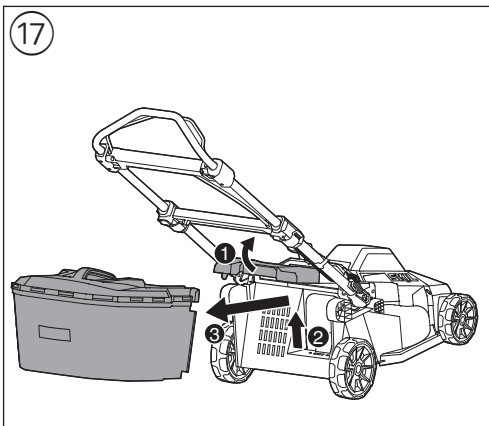
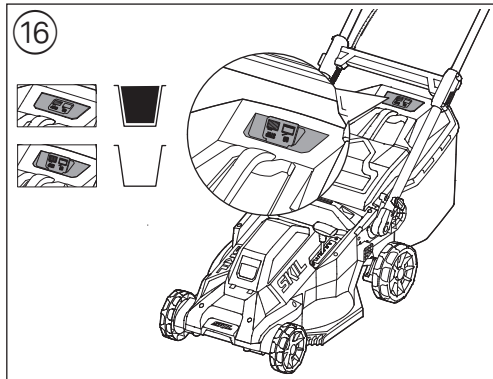
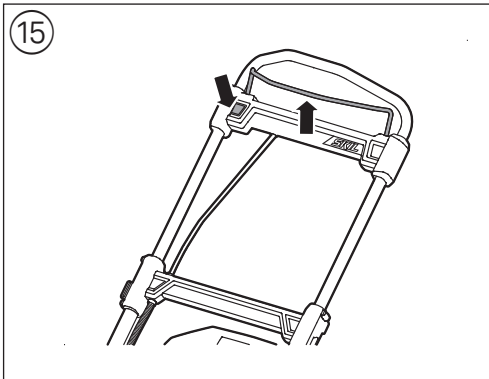
Rated Voltage	40V max d.c.
Mower Weight (without mulching insert)	16.8 kg (2.5 Ah battery pack attached)
Mower Weight (without mulching insert)	17.3 kg (5.0 Ah battery pack attached)
Cutting Width	43 cm
Cutting Height	25-75 mm
Grass-Bag Volume	50 L



10 c







INTRODUCTION

- This tool is intended for domestic lawn mowing only
- This tool is not intended for professional use
- Check whether the packaging contains all parts as illustrated in drawing ①
- When parts are missing or damaged, please contact your dealer
- Assembly instructions ⑩
 - the sequence of the numbers appearing in the drawing corresponds with the sequence of the steps to be followed for assembling the lawn mower
- **Read this instruction manual carefully before use and save it for future reference ③**

SAFETY

GENERAL

- Never allow children, persons with reduced physical, sensory or mental capabilities or lack of experience and knowledge or people unfamiliar with these instructions to use the machine
- Store idle power tools out of reach of children and do not allow persons unfamiliar with the mower or these instructions to operate the mower
- Avoid operating the mower on wet lawns
- The user is responsible for accidents or hazards occurring to other people or their property
- Never operate the tool with a defective rear guard or defective grass box
- When operating the tool without grass box, ensure that the rear guard is in closed position (**risk of injury caused by rotating cutting blade**)
- Always switch off the tool, remove battery pack, and ensure that all moving parts have come to a complete standstill
 - whenever leaving the tool unattended
 - before clearing jammed material
 - before checking, cleaning or working on the tool
 - after striking a foreign object
 - whenever the tool starts vibrating abnormally

PERSONAL SAFETY

- Do not operate the tool when barefoot or wearing open sandals; always wear sturdy shoes and long trousers
- Be familiar with the controls and the proper use of the tool
- Never mow in the direct vicinity of persons (especially children) and animals
- **Always keep hands and feet away from rotating parts**
- **Keep away from the discharge opening at all times**
- Switch on the motor according to instructions and with feet well away from the cutting blade
- Operate the mower at a walking pace only (do not run)
- Keep proper footing on slopes and do not mow extremely steep slopes
- Be extremely careful when moving backwards or pulling the mower towards you

BEFORE USE

- Check the functioning of the tool before each use and, in case of a defect, have it repaired immediately by a qualified person; never open the tool yourself
- Thoroughly inspect the area where the mower is to be used and remove all hard objects which could be caught up and thrown by the cutting mechanism

- Always ensure that the cutting mechanism is in good working order (have worn or damaged parts replaced)
- Keep all nuts, bolts and screws tight to be sure that the tool is in a safe working condition

DURING USE

- Only mow with sufficient daylight or with appropriate artificial lighting
- Do not tilt the tool when starting or switching on the motor, except if the tool has to be tilted for starting in long grass (in this case, do not tilt it more than absolutely necessary and tilt only the part which is away from the operator); always ensure that both hands are in the operating position before returning the tool to the ground
- Ensure that the cutting blade is at a complete standstill when tilting the tool for crossing surfaces other than grass and when transporting it to and from the area to be mowed
- Mow across the face of slopes (never up and down)
- Be extremely careful when changing direction on slopes
- Never pick up or carry the lawn mower while the motor is running
- Never use the tool when handle cord is damaged, have it replaced by a qualified person

AFTER USE

- Store the tool **indoors** in a dry and locked-up place, out of reach of children
 - store the battery pack separately from the tool

Only use the following batteries and chargers with this tool

- SKIL battery: BY5197E-03 BY5196E-03
- SKIL charger: SC5358E-01 QC5360E-01 QC5359E-00
- Do not use the battery when damaged; it should be replaced
- Do not disassemble the battery
- Do not expose tool/battery to rain
- Permitted ambient temperature (tool/charger/battery):
 - when charging 0...+45°C
 - during operation -20...+50°C
 - during storage -20...+50°C

EXPLANATION OF SYMBOLS ON TOOL

- ③ Read the instruction manual before use
- ④ Do not dispose of electric tools and batteries together with household waste material
- ⑤ Beware of sharp blades, after switching off the tool the blade continues to rotate for a few seconds, switch off and remove safety key from tool before cleaning/maintenance.
- ⑥ **Pay attention to the risk of injury caused by flying debris** (keep bystanders a safe distance away from work area)
- ⑦ Wear protective glasses and hearing protection
- ⑧ Do not expose tool to rain
- ⑨ Guaranteed sound power level

USE

- Charging battery
 - ! **read the safety warnings and instructions provided with the charger**
- Removing/installing the battery ⑫a
 - 2 battery packs need to be installed
- Removing/installing safety key ⑫b

- Adjusting height of tool handle ⑬
I = High
II = Medium
III = Low
- Adjusting cutting height (25-75 mm) ⑭
- adjust central handle by putting it in slot for desired cutting height. 1 = 25mm, 2 = 35mm, 3 = 45mm, 4 = 55mm, 5 = 65mm, 6 = 75 mm
- On/off safety switch ⑮
Prevents the tool from being switched on accidentally
- switch on tool by first pressing safety switch and then pulling trigger switch
- switch off tool by releasing trigger switch
! after switching off the tool the blade continues to rotate for a few seconds
- Operating instructions
- hold the mower with both hands
- place the mower on the edge of the lawn and mow in a forward direction
- reverse at the end of each turn, slightly overlapping the previous cut strip
! only use the mower on dry grass
- keep the mower away from solid objects and plants
! for mowing long grass, first set the cutting mechanism to the maximum cutting height, then to a lower cutting height
! adjust your walking pace when mowing long grass
- Grass box full indicator ⑯
- empty grass box as soon as flap lowers by itself, indicating that the grass box is full
- for optimal grass collecting performance regularly clean the holes underneath flap with a hand brush
- Mulching function ⑰
- for mulching install mulching plug as shown
- Battery level indicator ⑱
- press the battery level indicator button to show the current battery level ⑱a
! when the lowest level of the battery indicator starts flashing after pressing button ⑱b, the battery is empty
! when 2 levels of the battery indicator start flashing after pressing button ⑱c, the battery is not within the allowable operating temperature range
- Battery protection
The tool is suddenly being switched off or prevented from being switched on, when
- **the load is too high** --> remove load and restart
- **the battery temperature is not within the allowable operating temperature range of -20 to +50°C** --> 2 levels of the battery level indicator start flashing when pressing battery level indicator button ⑱c; wait until battery has returned within the allowable operating temperature range
- **the battery is nearly empty (to protect against deep discharge)** --> a low battery level or flashing low battery level ⑱b is shown by the battery level indicator when pressing battery level indicator button ; charge battery
! do not continue to press the on/off switch after the tool is switched off automatically; battery may be damaged

MAINTENANCE / SERVICE

- This tool is not intended for professional use
- Always switch off the tool, remove battery pack, and ensure that all moving parts have come to a complete standstill
- Always keep tool clean
- Clean the mower after each use with a hand brush and a soft cloth
! do not use water (especially no high-pressure sprays)
- remove compacted grass cuttings from the blade area with a wooden or plastic implement
- Storage ⑲
- for saving substantial storage space fold the tool handle and store the tool as illustrated; **empty grass box first**
! ensure that the handle cord is not trapped when folding/unfolding the tool handle (do not drop the handle)
- do not place other objects on top of the mower when stored
- Regularly check the grass box for wear or damage
- Regularly check for worn or damaged blades and bolts and have them replaced in sets to preserve balance
- Replacing the cutting blade ⑲
! remove safety key and batteries from tool and remove grass box ⑲b
! wear protective gloves
- turn the mower upside down
- remove/mount the cutting blade with a spanner 23 as illustrated
! only use replacement cutting blades of the correct type (SKIL accessory SMB1700, marked LERA430X)
- thoroughly clean the shaft area and the underside of the tool before mounting the cutting blade

TROUBLESHOOTING

- The following listing shows problem symptoms, possible causes and corrective actions (if these do not identify and correct the problem, contact your dealer or service station)
! always switch off the tool, remove battery packs, safety key, and ensure that all moving parts have come to a complete standstill
- ★ Tool does not operate
- empty battery -> charge battery
- safety key missing -> check correct installation of safety key ⑲
- telescopic handle problem -> fully extend handle and lock the levers ⑲c
- hot battery -> let battery cool down
- cutting blades jammed -> clear jammed material
- grass too high -> increase cutting height and tilt tool
- internal fault -> contact dealer/service station
- ★ Tool operates intermittently
- internal wiring defective -> contact dealer/service station
- ★ Tool leaves ragged finish or motor labours
- cutting height cut too low -> increase cutting height
- cutting blade blunt -> replace cutting blade
- underside of tool badly clogged -> clean tool

- ★ Cutting blade not rotating
 - cutting blade obstructed -> clear obstruction
 - blade nut/bolt loose -> tighten blade nut/bolt
- ★ Tool vibrates abnormally
 - cutting blade damaged -> replace cutting blade
 - blade nut/bolt loose -> tighten blade nut/bolt

ENVIRONMENT

- **Do not dispose of electric tools, batteries, accessories and packaging together with household waste material. The electric tools, batteries, accessories and packaging should be sorted for environmental-friendly recycling**
! prior to disposal protect battery terminals with heavy tape to prevent short-circuit

WARRANTY

SKIL WARRANTY POLICY

For all SKIL warranty & enquiries, please contact 1300 01 SKIL (1300 01 7545) Monday to Friday 9:00am to 5:00pm EST

Chervon Australia Pty Ltd ABN 36 165 077 501 ("Chervon") warrants to the original domestic purchaser that this product will be free from defects in materials and workmanship for 5 years from date of purchase, and any battery or charger will be free from defects in materials and workmanship for 3 years from date of purchase. Consumables will be covered by a 3-month warranty and a complete list can be found inside the manual.

Notwithstanding the foregoing, if a SKIL consumer Power Tool is used for industrial, professional or commercial purposes, the foregoing warranty will apply for a duration of ninety days from the date of purchase. This ninety-day commercial warranty pertains to the SKIL Power Tool range only.

This SKIL product warranty is only applicable to purchases from authorised SKIL retailers. This warranty will not apply to SKIL products that are purchased from Amazon, eBay and any other non-authorised online retailer. This SKIL product warranty does not apply to any parallel imported product and does not apply to any SKIL products that are not purchased from an authorised SKIL retailer. To make a claim, return the faulty item together with proof of purchase directly to your closest service agent or to the place of purchase. Any handling and transportation costs (and other expenses incurred in claiming this warranty) are not covered by this warranty and will not be borne by Chervon. The replacement product or part or repaired product will be made available for your collection at an address nominated by Chervon. Where a valid warranty claim is made, Chervon will replace the defective product or repair the fault. Where the product is repaired, Chervon may use refurbished parts. This warranty does not cover normal wear and tear, misuse or abuse. This warranty may also be further limited or voided as specifically detailed in the product manual. Chervon has no other liability under this warranty. The benefits to you given by this warranty are in addition to other rights and remedies imposed by State and Federal legislation that cannot be excluded. Our goods come with guarantees that cannot be excluded under the Australian Consumer Law. You are entitled to a replacement or refund for a major failure and compensation for any other reasonably foreseeable loss or damage. You are also entitled to have the goods repaired or replaced if the goods fail to be of acceptable quality and the failure does not amount to a major failure. Chervon Australia Pty Ltd, Unit 14, 5 Kelletts Road, Rowville, VIC. 3178.
Ph; 1300 01 SKIL (1300 01 7545).
Email: support@skil.com.au

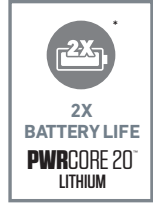
The following accessories and consumables have a 3-month warranty period:

Chucks	Allen keys
Brushes	Angle grinder flanges
Collets	Dust canisters

*



Industry leading battery technology wraps each cell with cooling material to keep the battery powering on for 25% longer run time compare to general battery technology.



SKIL's patented technology extends the battery life 2X longer compare to general battery technology.

