

SKIL®



Model: LT4820E-00

PWRCORE 20™

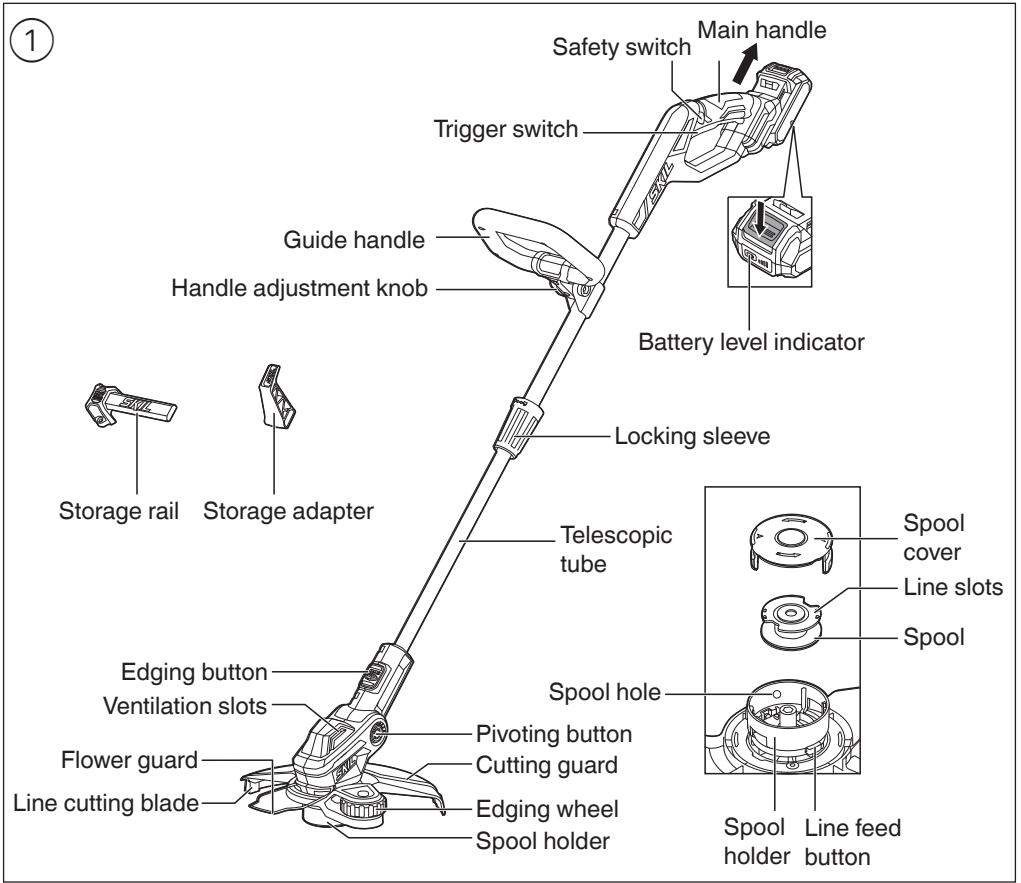
Cordless Line Trimmer

⚠ WARNING: To reduce the risk of injury, the user must read and understand the Owner's Manual before using this product. Save these instructions for future reference.



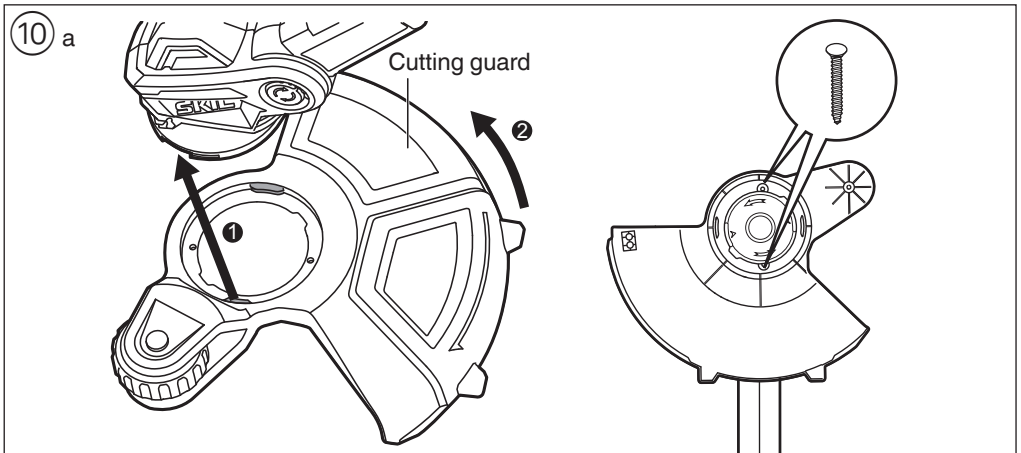
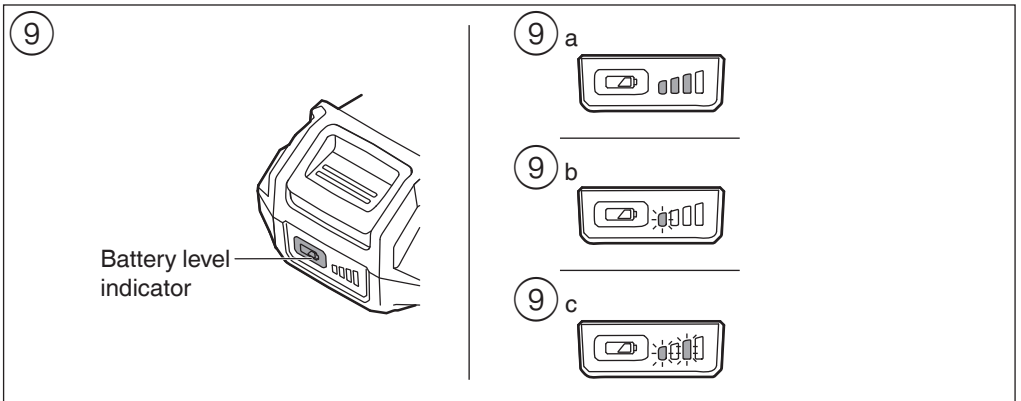
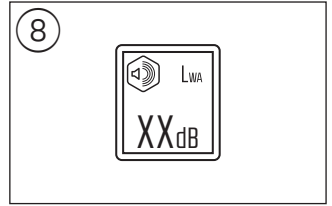
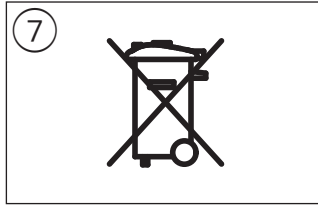
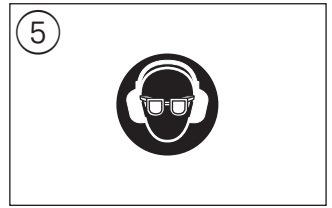
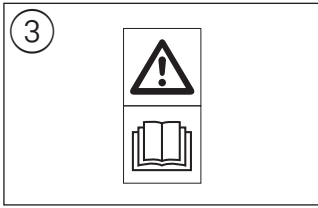
For Customer Service

1300-017-545 OR www.skil.com.au

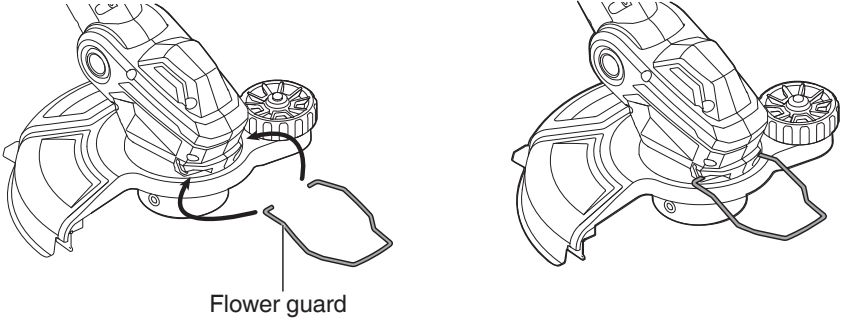


② **SPECIFICATIONS (LT4820E-00)**

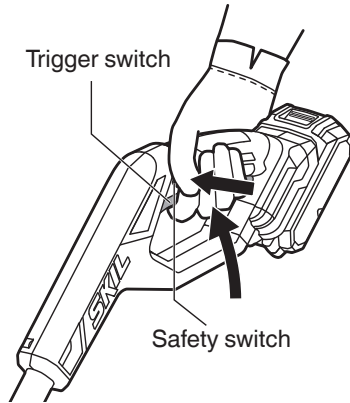
Rated Voltage	20V max d.c.
Weight	2.3kg (with 2.5 Ah battery pack attached)
Weight	2.6kg (with 5.0 Ah battery pack attached)
No-Load Speed	7100/min
Cutting diameter	30cm
Trimmer line length	5m
Trimmer Line diameter	1.6mm



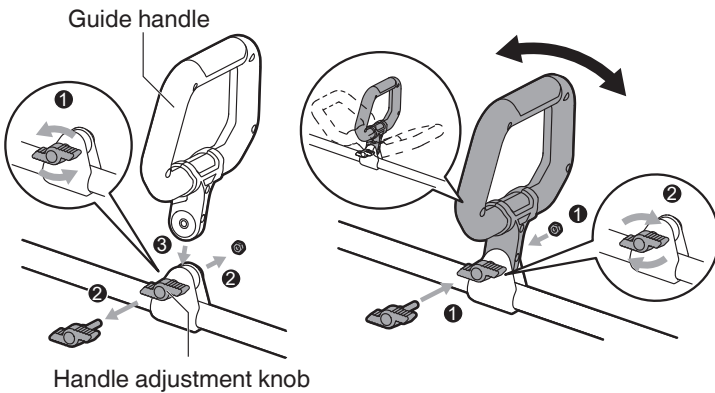
10 b

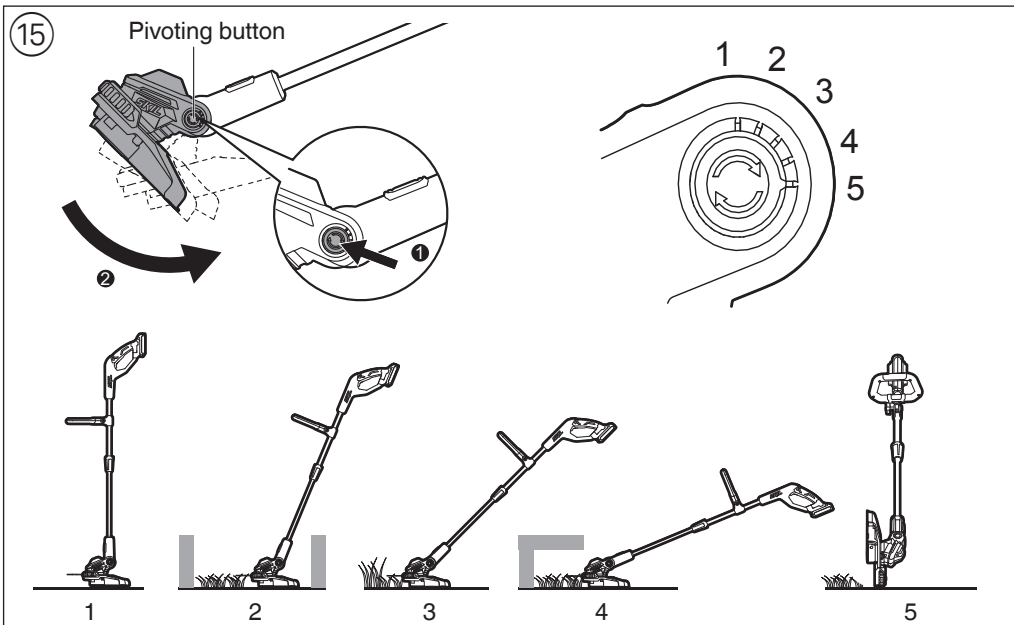
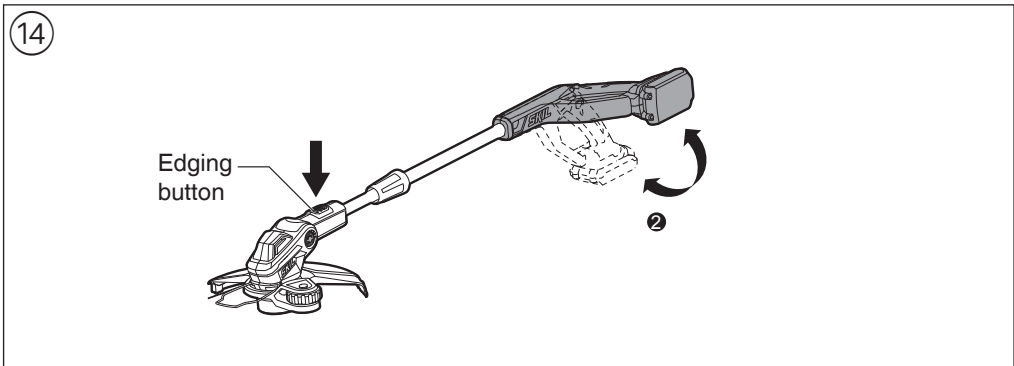
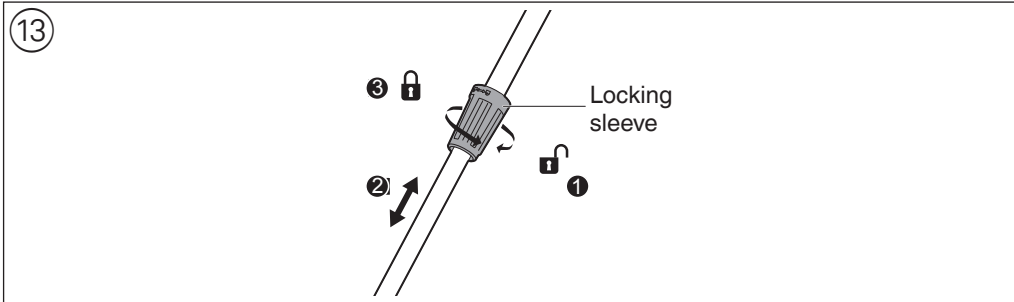


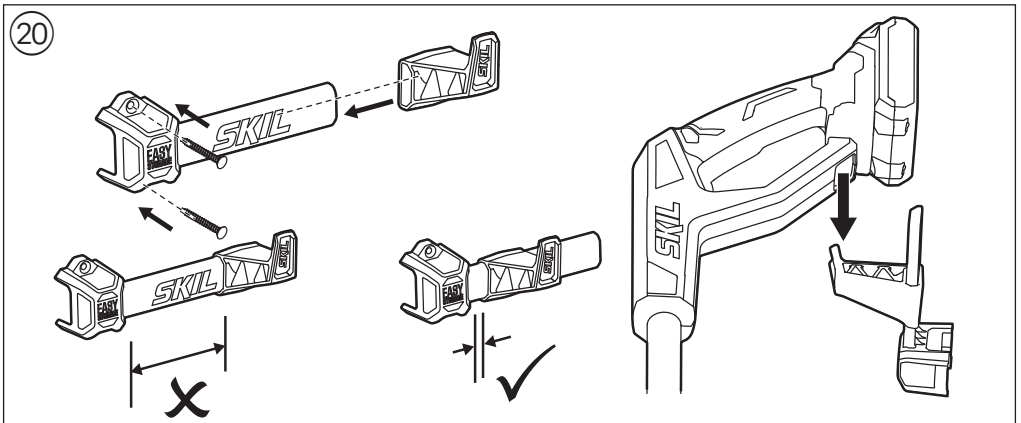
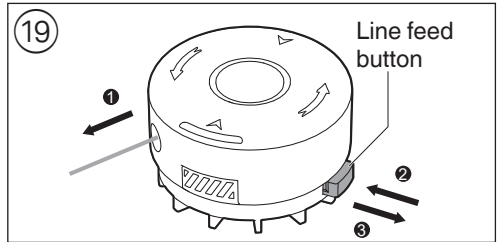
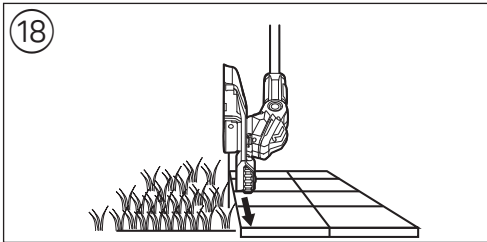
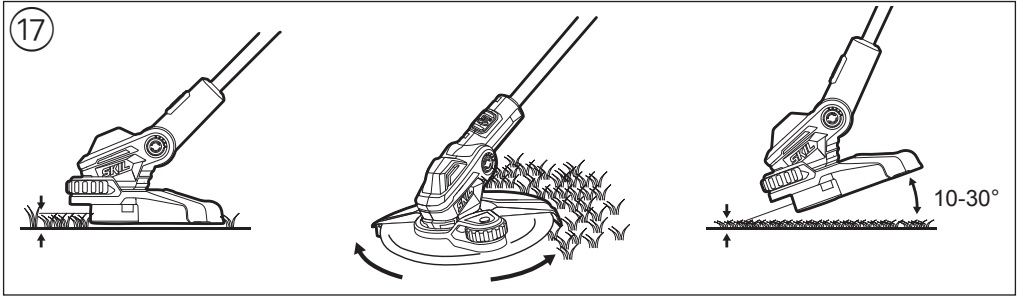
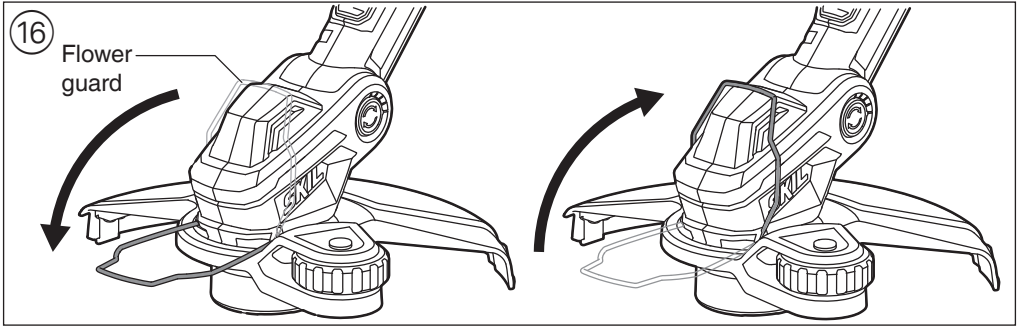
11



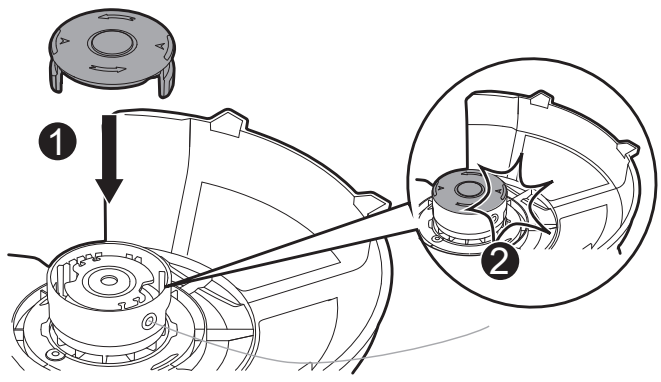
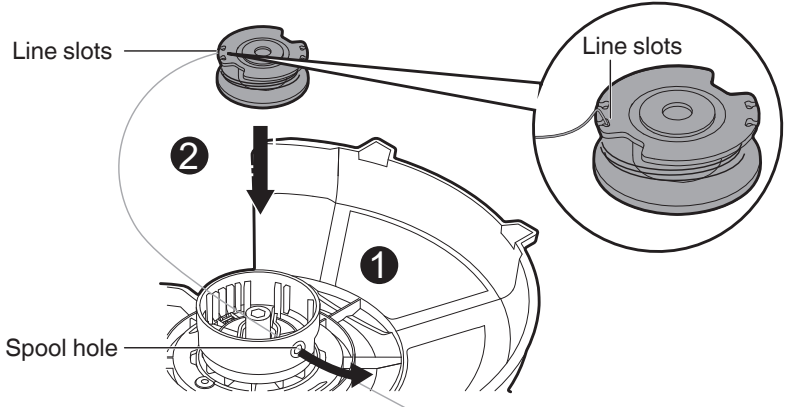
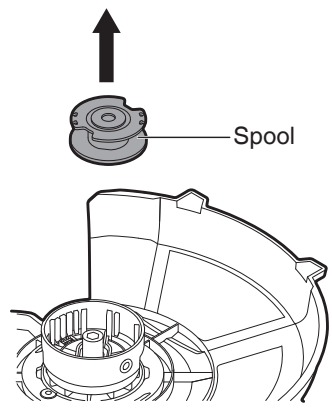
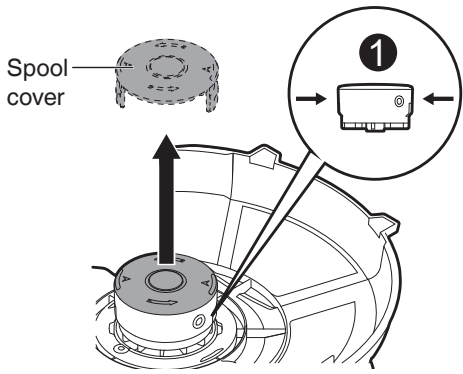
12







21



INTRODUCTION

- This tool is intended for the cutting of grass and weeds under bushes as well as on slopes and edges that can not be reached with a lawn mower
- This tool is not intended for professional use
- Check whether the packaging contains all parts as illustrated in drawing ①
- When parts are missing or damaged, please contact your dealer
- **Read this instruction manual carefully before use and save it for future reference** ③
- **Pay special attention to the safety instructions and warnings; failure to follow these may result in serious injury**

SAFETY

GENERAL

- Never allow children, persons with reduced physical, sensory or mental capabilities or lack of experience and knowledge or people unfamiliar with these instructions to use the machine.
- Store idle power tools out of reach of children and do not allow persons unfamiliar with the line trimmer or these instructions to operate the line trimmer.
- Be familiar with the controls and the proper use of the tool
- The user is responsible for accidents or hazards occurring to other people or their property
- Use only accessories and replacement parts recommended by SKIL
- Never mount metal cutting elements onto this tool

PERSONAL SAFETY

- Keep hands and feet away from the cutting line while trimming, especially when switching on the tool
- Always wear eye protection, long trousers and sturdy shoes when operating the tool
- Never operate the tool in the direct vicinity of persons; stop using the tool when persons (especially children) or pets are nearby
- Never operate the tool when you are tired, sick or under the influence of alcohol or other drugs

BEFORE USE

- Only use the tool in daylight or with appropriate artificial lighting
- Never operate the tool with a damaged cutting guard or without the cutting guard mounted
- Check the functioning of the tool before each use and after any impact; in case of a defect, have it repaired immediately by a qualified person (never open the tool yourself)
- Before use, thoroughly inspect the cutting area and remove any object that the tool may sling during cutting (such as stones, loose pieces of wood, etc.)

DURING USE

- Avoid using the tool in bad weather conditions, especially when there is a risk of lightning
- Do not use the tool on wet lawns
- Keep proper balance and footing at all times; do not overreach
- Operate the tool at a walking pace only (do not run)
- **The cutting line continues to rotate for a short time after the tool is switched off**

- Do not cut grass which is not on the ground (e.g. on walls or rocks)
- Do not cross roads or gravel paths with the tool still running
- Do not get distracted and always concentrate on what you are doing
- Always switch off the tool and remove the battery
 - whenever leaving the tool unattended
 - before clearing jammed material
 - before checking, cleaning or working on the tool
 - after striking a foreign object
 - whenever the tool starts vibrating abnormally
- Always ensure that the ventilation openings are kept clear of debris

AFTER USE

- Store the tool **indoors** in a dry and locked-up place, out of reach of children
 - store the battery pack separately from the tool

Only use the following batteries and chargers with this tool

- SKIL battery: BY5197E-03 BY5196E-03
- SKIL charger: SC5358E-01 QC5360E-01 QC5359E-00
- Do not use the battery when damaged; it should be replaced
- Do not disassemble the battery
- Do not expose tool/battery to rain
- Permitted ambient temperature (tool/charger/battery):
 - when charging 4...40°C
 - during operation -20...+50°C
 - during storage -20...+50°C

EXPLANATION OF SYMBOLS ON TOOL/BATTERY

- ③ Read the instruction manual before use
- ④ **Pay attention to the risk of injury caused by flying debris** (keep bystanders a safe distance away from work area)
- ⑤ Wear protective glasses and hearing protection
- ⑥ **Do not expose tool to rain**
- ⑦ Do not dispose of electric tools and batteries together with household waste material
- ⑧ Guaranteed sound power level

USE

- Assembly instructions
 - mount cutting guard as illustrated with 2 screws ⑩a
 - ! **never use the tool without cutting guard**
 - Mount flower guard ⑩b
 - mount the guide handle as illustrated ⑫
- Charging battery
 - ! **read the safety warnings and instructions provided with the charger**
- Removing/installing the battery ①
- On/off ⑪
 - switch on tool by first pressing knob (= safety switch which cannot be locked) and then pulling trigger
 - switch off tool by releasing trigger switch
 - ! **after switching off the tool the cutting line continues to rotate for a few seconds**
 - allow the cutting line to stop rotating before switching on again
 - ! **do not rapidly switch on and off**

- **Battery protection**
The tool is suddenly being switched off or prevented from being switched on, when
 - **the load is too high** --> remove load and restart
 - **the battery temperature is not within the allowable operating temperature range of -20 to +50°C** --> 2 levels of the battery level indicator start flashing when pressing button ⑨c; wait until battery has returned within the allowable operating temperature range
 - **the battery is nearly empty (to protect against deep discharge)** --> a low battery level or flashing low battery level ⑨b is shown by the battery level indicator when pressing button; charge battery
- ! **do not continue to press the on/off switch after the tool is switched off automatically; battery may be damaged**
- Setting the guide handle position ⑫
 - release guide handle adjustment knob
 - adjust guide handle position
 - fasten guide handle adjustment knob
- Setting the tube length ⑬
- Setting the main handle orientation ⑭
 1. downwards for trimming
 2. sideways for edging
- Setting the pivot function ⑮
 - set tube angle according
 1. free standing storage
 2. trimming in narrow spaces
 3. regular trimming
 4. trimming under low objects
 5. edging function
- Using the flower guard ⑯

Use the flower guard to protect precious plants from unintentional pruning

 - fold flower guard downwards

Disengage flower guard for edging function or for trimming near hard obstacles

 - fold flower guard upwards
- Setting up the tool for trimming
 - set tube length ⑬
 - set main handle orientation in trimming position ⑭
 - use pivot position 2, 3 or 4 ⑮
 - use flower guard ⑯
- Setting up the tool for edging
 - set tube length ⑬
 - set main handle orientation in edging position ⑭
 - use pivot position 5 ⑮
 - disengage flower guard ⑯
 - for edging, support the tool by the edging wheel ⑱
- Trimming

! **ensure that the cutting area is free of stones, debris and other foreign objects**

! **start trimming only when tool runs at full speed**

 - cut long grass in layers (always start from the top)
 - only trim with the tip of the cutting line
 - do not cut damp or wet grass
 - prevent the cut grass from clogging the spool (do not make heavy cuts)
 - do not overload the tool
 - carefully cut around trees and bushes, so that they do not come into contact with the cutting line
- keep the tool away from solid objects in order to protect the cutting line against excessive wear
- be aware of the kickback forces that occur when solid objects are touched
- Holding and guiding the tool ⑰ ⑱
 - for cutting long grass slowly swing the tool from right to left and vice versa
 - for cutting shorter grass tilt the tool as illustrated
 - hold tool firmly with both hands, so you will have full control of the tool at all times
 - maintain a stable working position
 - always hold the tool well away from your body
 - for edging let the tool be supported by the edging wheel ⑱
- Line feeding
The line is automatically fed when the tool is switched on or off
 - the cutting line will be released and cut off to the correct length by line cutting blade
- ! **take care against injury from line cutting blade**
- Feeding the line manually ⑲
 - switch off the tool and remove the battery
 - pull the line and keep pulling, then press and release the line feed button
 - after line feeding always return the tool to its normal operating position before switching on
 - feed the line regularly to maintain full cutting circle
 - when the motor runs without load and no grass is cut, the cutting line is stuck, worn or broken; rewind the spool or replace the spool system
- Rewinding spool ⑳

In case the cutting line fails to protrude from spool hole

! **always switch off the tool and remove the battery**

 - remove spool cover and take out spool from spool holder
 - tightly rewind the cutting line evenly in layers in arrow direction
 - insert the cutting line into spool slot and ensure that it is securely in place (leave sufficient length of line)
 - thread the cutting line through spool hole L before placing the rewound spool into spool holder

! **ensure that the spool is located securely in place, then pull the cutting line from slot**

 - mount spool cover
- Replacing spool ㉑

! **always switch off the tool and remove the battery**

 - remove old spool and mount new spool as illustrated
 - only use SKIL spool STS1200 with this tool (**damage due to using other spools will be excluded from the warranty**)
 - after replacing the spool test-run the tool for at least one minute without load to ensure that the tool is operating properly

! **be sure tool is switched off when inserting the battery**

MAINTENANCE / SERVICE

- This tool is not intended for professional use
- Always switch off the tool, remove battery pack, and ensure that all moving parts have come to a complete standstill
- Always keep tool clean (especially ventilation slots ①)
 - clean the tool with a damp cloth (do not use cleaning agents or solvents)
 - clean line cutting blade ① and cutting guard ① after each use
 - clean ventilation slots ① regularly with a brush or compressed air
- Regularly check the condition of the cutting head and the tightness of nuts, bolts and screws
- Regularly check for worn or damaged components and have them repaired/replaced when necessary
- Storage
 - Storage method 1 ⑳
 - securely mount storage rail on the wall with 2 screws (**not supplied**) and horizontally leveled
 - attach the storage adapter and move it against the mounting base of the storage rail
 - store the tool with the storage hole in the handle over the tip of the storage adapter
 - Storage method 2 ⑮
 - use pivot position 1 and let the tool stand by itself on the ground

TROUBLESHOOTING

- The following listing shows problem symptoms, possible causes and corrective actions (if these do not identify and correct the problem, contact your dealer or service station)
 - ! **in case of electrical or mechanical malfunction, immediately switch off the tool and remove battery**
- ★ Tool does not operate
 - empty battery -> charge battery
 - hot battery -> let battery cool down
 - internal fault -> contact dealer/service station
- ★ Tool operates intermittently
 - internal wiring defective -> contact dealer/service station
 - on/off switch defective -> contact dealer/service station
- ★ Tool vibrates abnormally
 - grass too high -> cut in stages
- ★ Tool does not cut
 - line too short/broken off -> feed the line manually
- ★ Line cannot be fed
 - spool empty -> replace spool
 - line entangled inside spool -> inspect spool; rewind if necessary
- ★ Line is not cut off to correct length -> remove cover from cutting blade
- ★ Line keeps breaking
 - line entangled inside spool -> inspect spool; rewind if necessary
 - trimmer incorrectly used -> only trim with the tip of the line; avoid stones, walls and other hard objects; feed the line regularly

ENVIRONMENT

- **Do not dispose of electric tools, batteries, accessories and packaging together with household waste material.** The electric tools, accessories and packaging should be sorted for environmental-friendly recycling.
 - ! **prior to disposal protect battery terminals with heavy tape to prevent short-circuit**

WARRANTY

SKIL WARRANTY POLICY

For all SKIL warranty & enquiries, please contact 1300 01 SKIL (1300 01 7545) Monday to Friday 9:00am to 5:00pm EST

Chervon Australia Pty Ltd ABN 36 165 077 501 ("Chervon") warrants to the original domestic purchaser that this product will be free from defects in materials and workmanship for 5 years from date of purchase, and any battery or charger will be free from defects in materials and workmanship for 3 years from date of purchase. Consumables will be covered by a 3-month warranty and a complete list can be found inside the manual.

Notwithstanding the foregoing, if a SKIL consumer Power Tool is used for industrial, professional or commercial purposes, the foregoing warranty will apply for a duration of ninety days from the date of purchase. This ninety-day commercial warranty pertains to the SKIL Power Tool range only.

This SKIL product warranty is only applicable to purchases from authorised SKIL retailers. This warranty will not apply to SKIL products that are purchased from Amazon, eBay and any other non-authorised online retailer. This SKIL product warranty does not apply to any parallel imported product and does not apply to any SKIL products that are not purchased from an authorised SKIL retailer. To make a claim, return the faulty item together with proof of purchase directly to your closest service agent or to the place of purchase. Any handling and transportation costs (and other expenses incurred in claiming this warranty) are not covered by this warranty and will not be borne by Chervon. The replacement product or part or repaired product will be made available for your collection at an address nominated by Chervon.

Where a valid warranty claim is made, Chervon will replace the defective product or repair the fault. Where the product is repaired, Chervon may use refurbished parts. This warranty does not cover normal wear and tear, misuse or abuse. This warranty may also be further limited or voided as specifically detailed in the product manual. Chervon has no other liability under this warranty. The benefits to you given by this warranty are in addition to other rights and remedies imposed by State and Federal legislation that cannot be excluded. Our goods come with guarantees that cannot be excluded under the Australian Consumer Law. You are entitled to a replacement or refund for a major failure and compensation for any other reasonably foreseeable loss or damage. You are also entitled to have the goods repaired or replaced if the goods fail to be of acceptable quality and the failure does not amount to a major failure. Chervon Australia Pty Ltd, Unit 14, 5 Kelleets Road, Rowville, VIC. 3178.

Ph; 1300 01 SKIL (1300 01 7545).

Email: support@skil.com.au

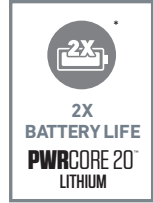
The following accessories and consumables have a 3-month warranty period:

Chucks	Allen keys
Brushes	Angle grinder flanges
Collets	Dust canisters

*



Industry leading battery technology wraps each cell with cooling material to keep the battery powering on for 25% longer run time compare to general battery technology.



SKIL's patented technology extends the battery life 2X longer compare to general battery technology.

